



Cutlery Holder

Design & work: Anriko

Size (when opened): 31cm x 31cm

have fun with KOKKA fabric! produced by **KOKKA**

kokka-fabric.com

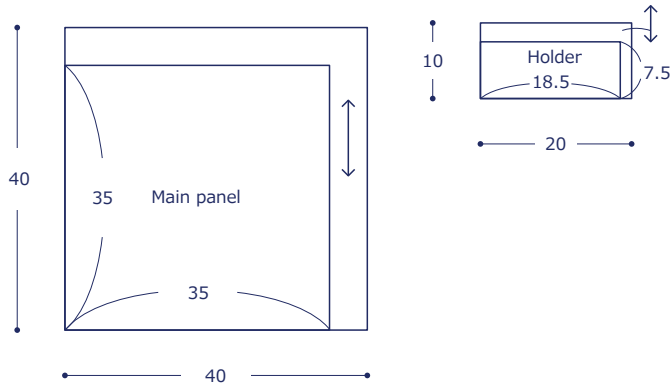
Materials (for one holder)

- Fabric (Main panel): 40cm×40cm
(Holder): 20cm×10cm

Fabric shown for this sample: JG50000-4A

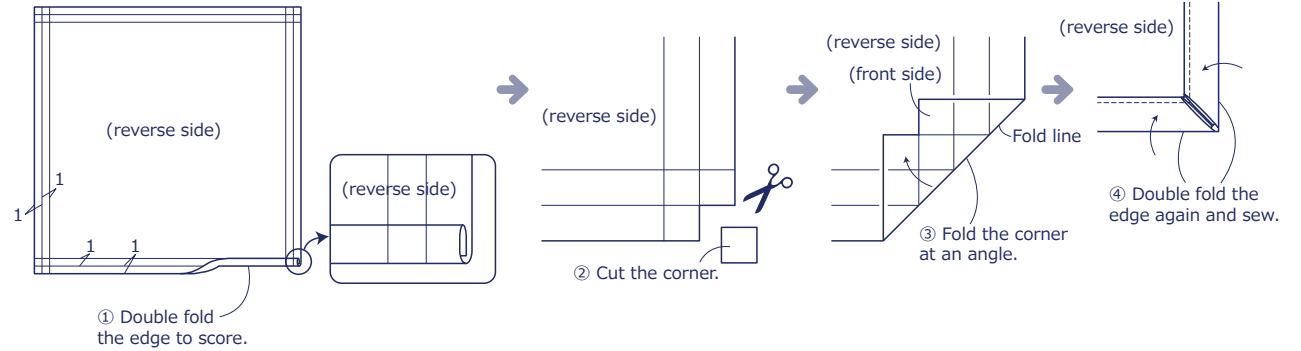
Pattern and Cutting Layout

All measurements are in centimeters (cm). The edges are left cut.

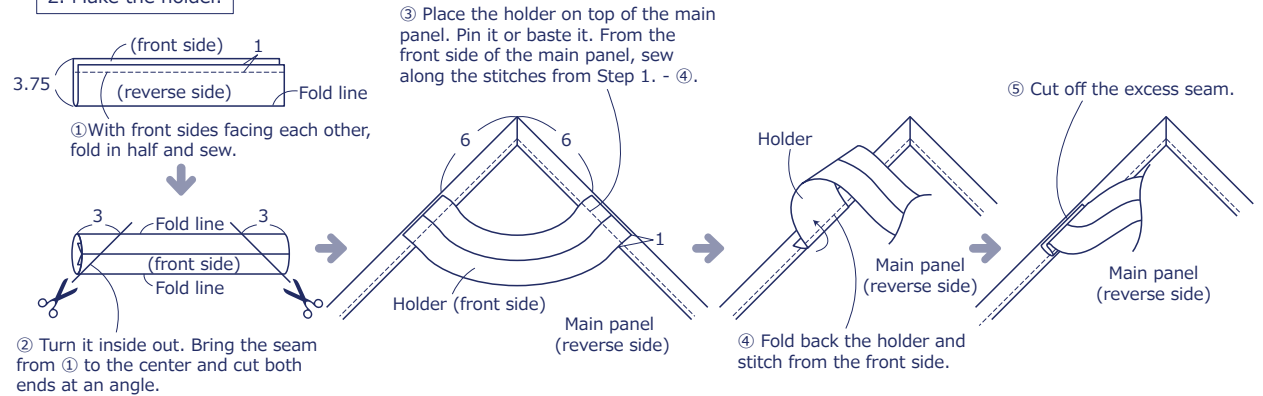


Instructions

1. Make the main panel.



2. Make the holder.



How to fold

