



# Tank Top in Camouflage

Design & work: Anriko

Size: length 64cm

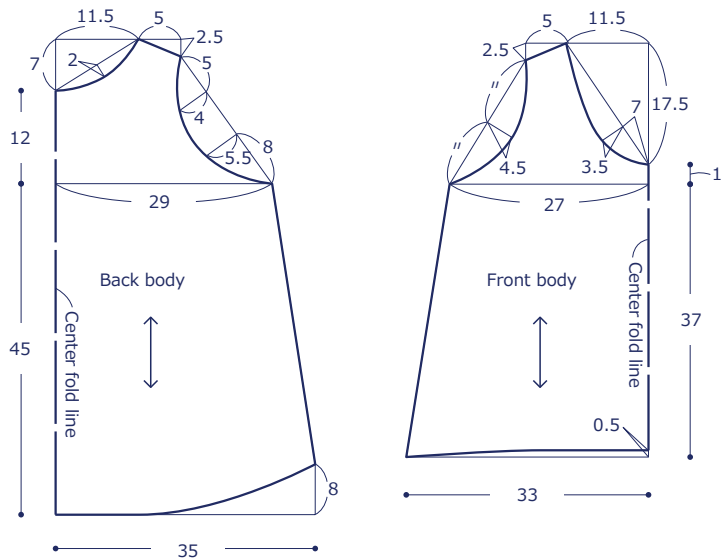
## Materials

- Fabric: 150cm×70cm
- Double fold bias tape: 2m x 1.25cm wide

Fabric shown for this sample: echino camouflage JG-95220-20 (A)

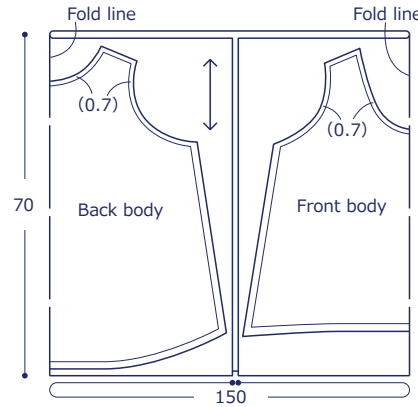
## Pattern

All measurements are in centimeters (cm).



## Cutting layout

Numbers in ( ) denote seam allowance. Add 1cm seam allowance unless specified otherwise.



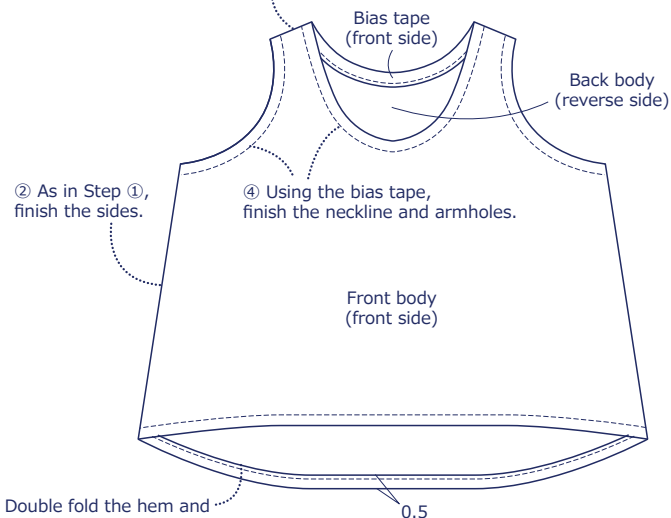
## Instructions

① With front sides facing each other, put together the front and back body and sew at the shoulder. Apply zigzag stitches on the seams together. Press it down to the back body side.

② As in Step ①, finish the sides.

④ Using the bias tape, finish the neckline and armholes.

③ Double fold the hem and sew all the way around.



## How to finish Step ④

Open one side of the bias tape. With front sides facing each other, place it over the body and sew together.

