



# Round Bottom Bucket Bag

Design & work: Yuko Ohno

Size: 20cm (bottom diameter) 25cm (h)

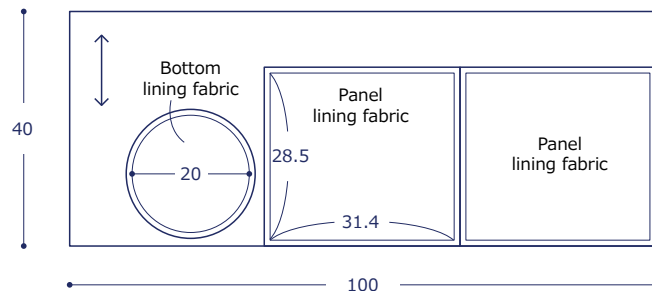
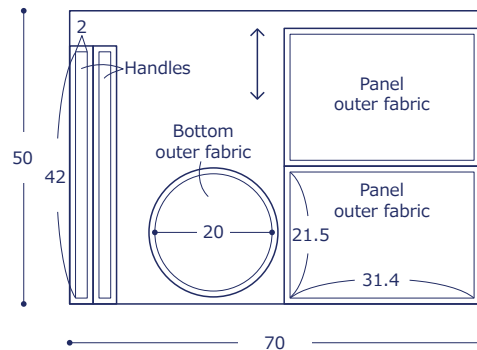
## Materials

- Fabric (Outer fabric, Handle): 70cm×50cm  
(Lining fabric): 100cm×40cm
- Interfacing: 10×50cm  
(or Fusible tape: 90cm (2cm wide - finished measurement))
- Twilled cotton tape: 90cm (2cm wide)
- Waxed cord: 1.6m (0.4cm wide)
- Lace: 55cm (1.9cm wide)  
50cm (1cm wide)

Fabric shown for this sample: ellen baker monochrome JG42400-400(B)

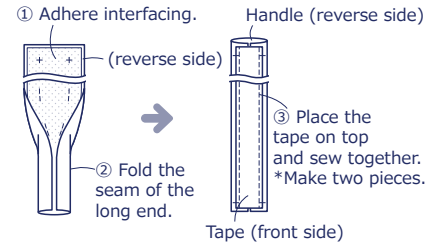
## Pattern and Cutting Layout

The unit is cm. Add 1cm seam allowance.

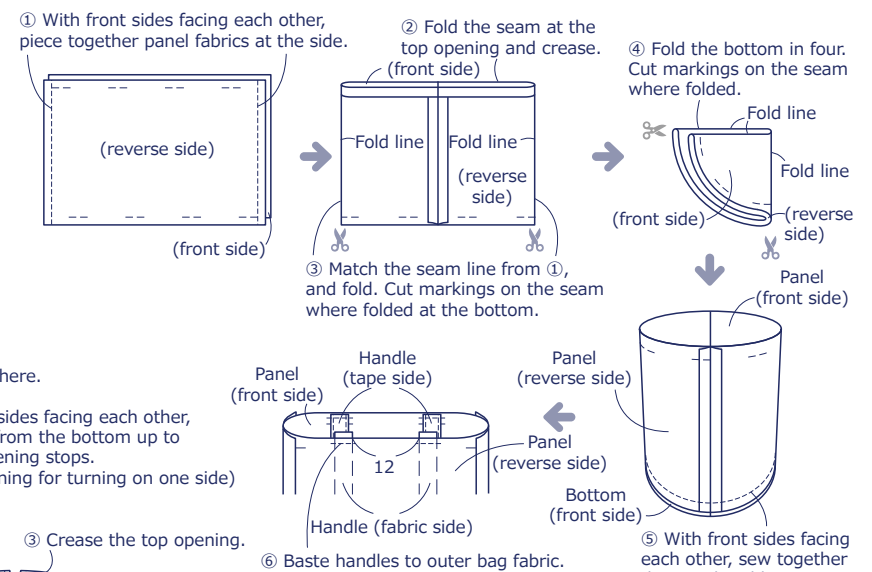


## Instructions

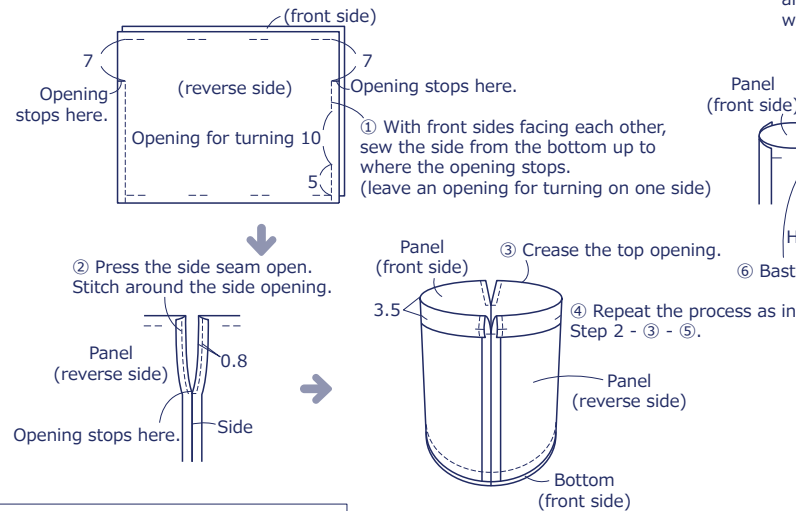
### 1. Make the handle.



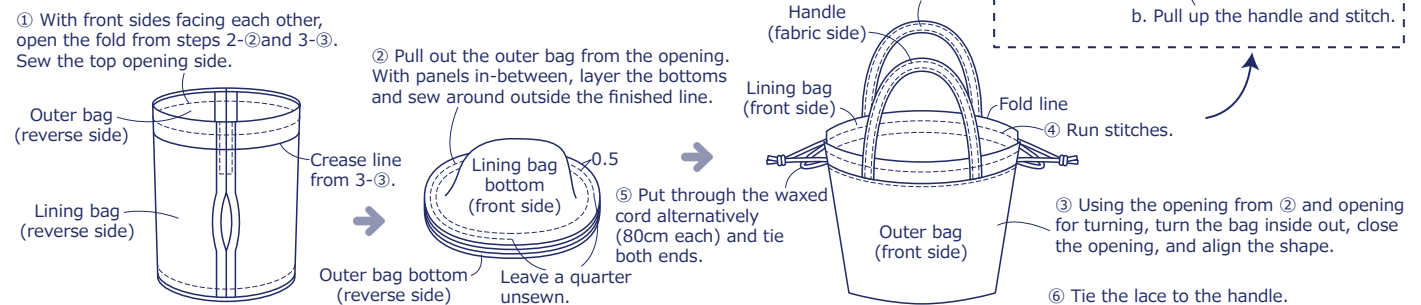
### 2. Make the outer bag.



### 3. Make the lining bag.



### 4. Sew together the outer and lining bags.



### How to stitch

