



Bucket Tote

Design & work: Masumi Saito (sinafuku)

Size: 28cm (l) 36cm (w-at the top)
21cm (bottom diameter)

have fun with KOKKA fabric! produced by **KOKKA**

kokka-fabric.com

The craft projects and works featured in kokka-fabric.com are strictly for personal use and enjoyment.
Please refrain from selling handmade items using the same exact design (including the pieces made in different fabrics) featured in kokka-fabric.com.

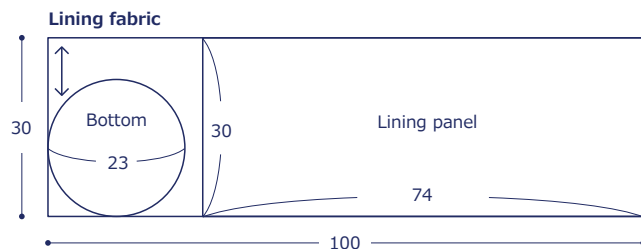
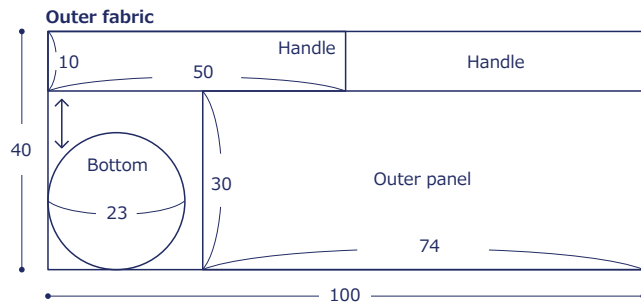
Materials

- Fabric (Outer fabric, Handle): 100cm×40cm
(Lining fabric): 100cm×30cm
- Quilt batting: 80cm x 60cm
- Velcro: 2cm diameter

Fabric shown for this sample:
(Outer fabric · Handle) H10100-100(A)
(Lining fabric) H10100-101(C)

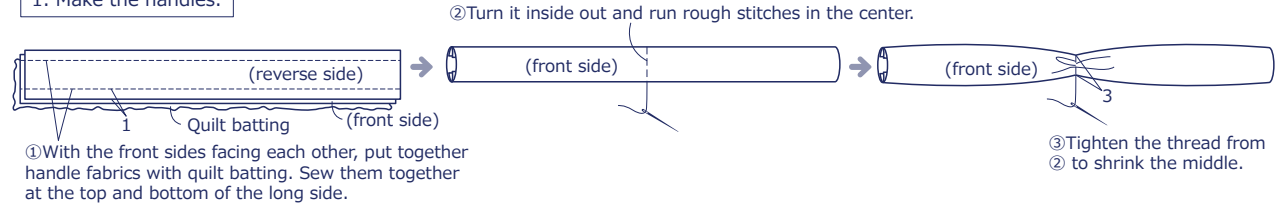
Pattern

All measurements are in centimeters (cm). All edges are left cut.

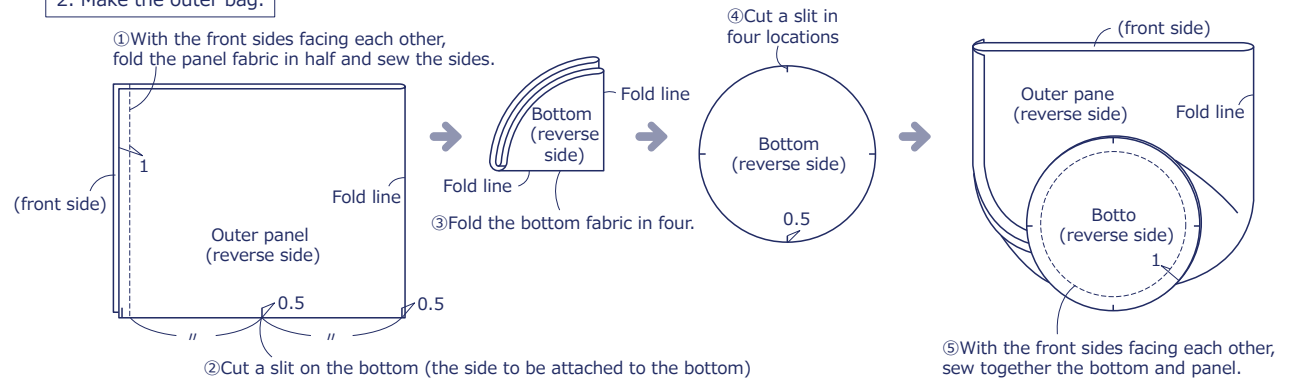


Instructions

1. Make the handles.

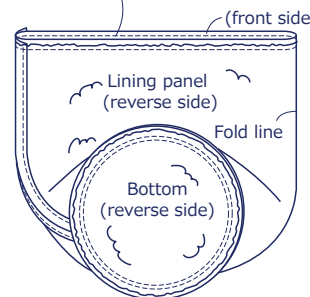


2. Make the outer bag.



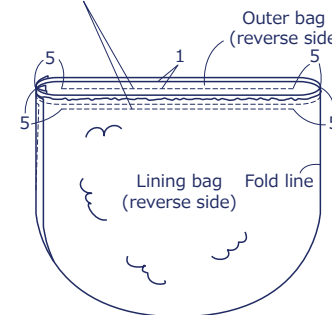
3. Make the lining bag.

Cut the quilt batting to the size of the panel and bottom. Layer the batting on the fabric. Baste it at 0.5cm from the edge. Make the bag as in Step 2.



4. Piece together the outer bag and lining bag.

With the front sides facing each other, sew together the outer bag and lining bag at the top opening, leaving both ends unsewn.



5. Attach the handle.

① Turn the bag inside out. Place the handle in-between the outer and lining bags and run top stitches.

