



# Apron Tote

Design & work: Kanae Nakayama

Size: 30cm (l) 41cm(w - at the opening)  
27cm (bottom width) 14cm (d)

have fun with KOKKA fabric! produced by **KOKKA**

**kokka-fabric.com**

The craft projects and works featured in kokka-fabric.com are strictly for personal use and enjoyment.  
Please refrain from selling handmade items using the same exact design (including the pieces made in different fabrics) featured in kokka-fabric.com.

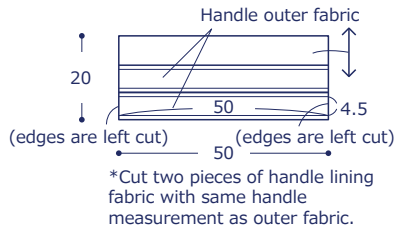
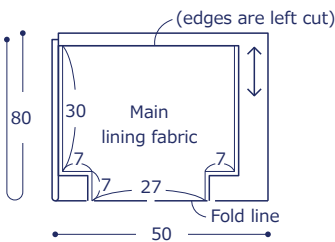
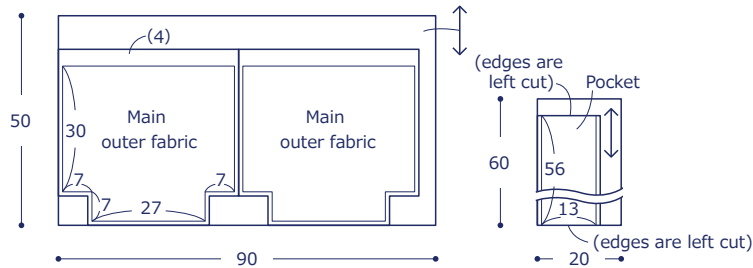
## Materials

- Fabric (Main outer fabric): 90cm×50cm  
(Main lining fabric): 50cm×80cm  
(Handle outer fabric): 50cm×20cm  
(Handle lining fabric): 50cm×20cm  
(Pocket): 20cm×60cm
- Cotton tape: 2cm wide x 122cm

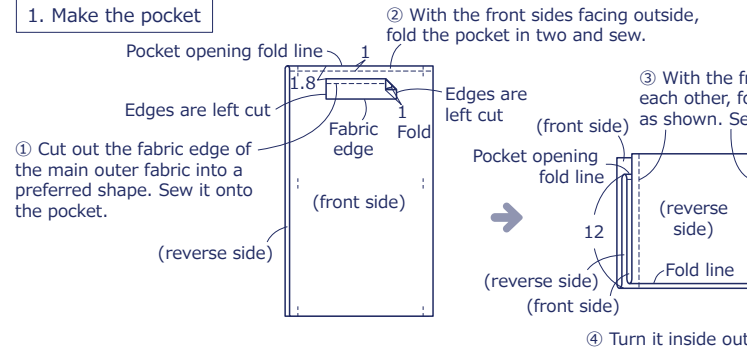
Fabric shown for this sample: P38100-101 (A)

## Pattern

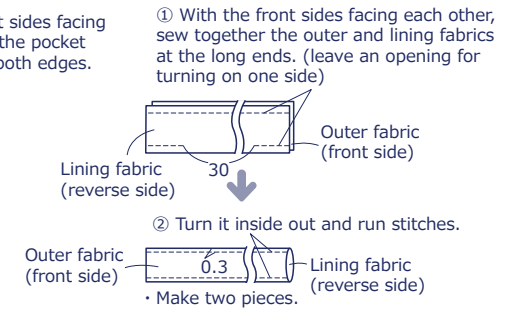
All measurements are in centimeters (cm). Numbers in ( ) denote seam allowance.  
All seam allowances are 1cm unless otherwise specified.



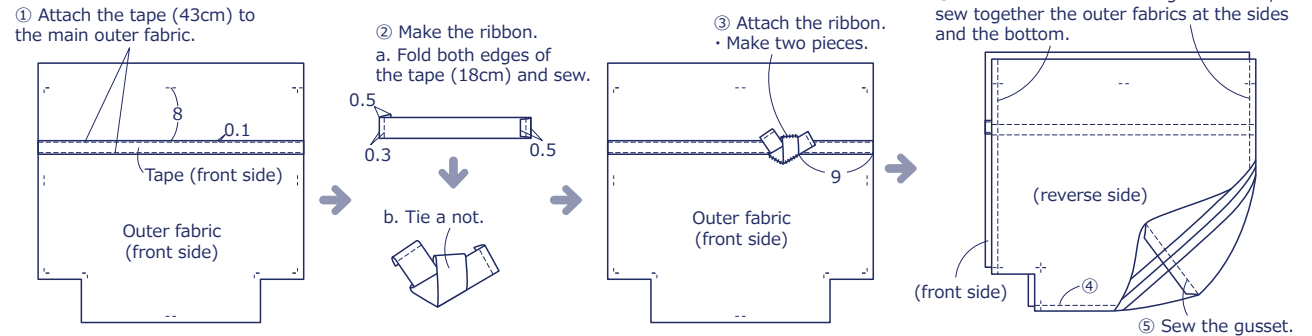
### 1. Make the pocket



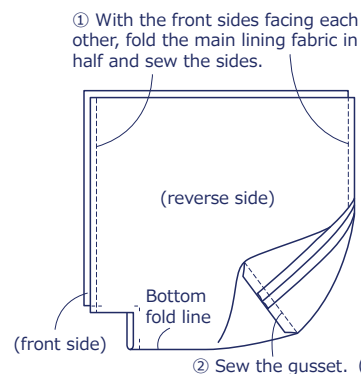
### 2. Make the handles



### 3. Make the outer bag



### 4. Make the lining bag



### 5. Sew together the outer bag and lining bag

