



Roundhem Pullover

Design & work: Kokka Fabric

Size: Medium

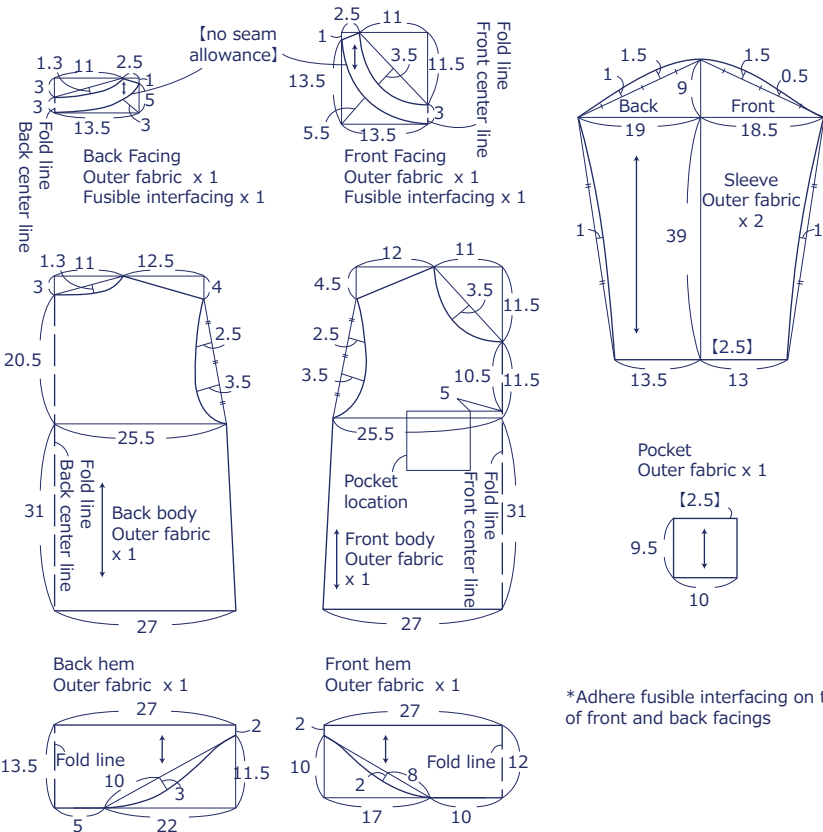
Materials

- Outer fabric 108cm wide x 160cm
- Fusible interfacing (thin) 90cm wide x 20cm

Fabric shown for this sample: P38800-802 (B)

Pattern

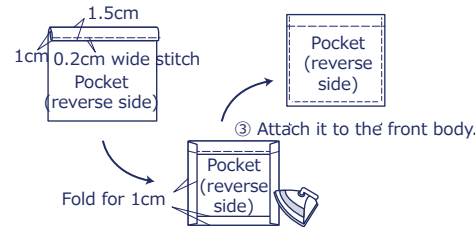
All measurements are in centimeters (cm). Numbers in [] denote seam allowance.
All seam allowances are 1cm unless otherwise specified.



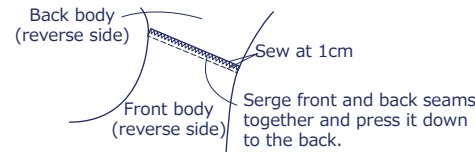
Instructions

1. Make the pocket. Attach it to the front body where specified

- Double fold the top opening and run stitches.
- Fold the seams on the sides and bottom.

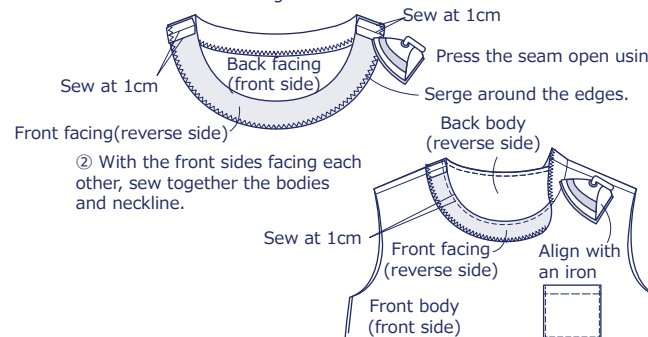


2. With the front sides facing each other, sew together the front and back bodies at the shoulder

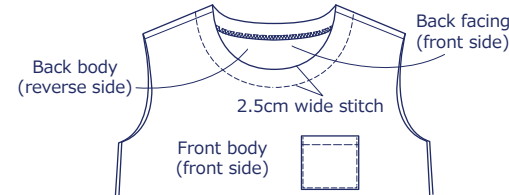


3. Finish the neckline

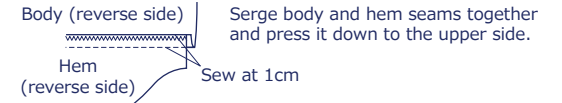
- With the front sides facing each other, sew together the front and back facings at the shoulder.



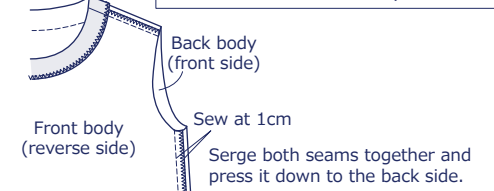
- Turn the facing inside out and run stitches.



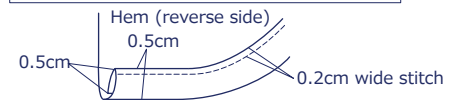
4. With the front sides facing each other, sew together the body and hem.



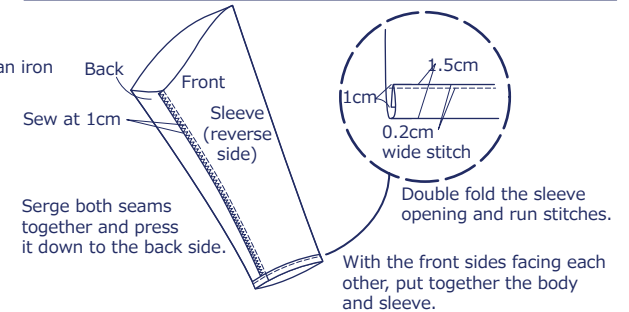
5. With the front sides facing each other, sew the sides of the body



6. Double fold the hem and run stitches



7. Sew the bottom of the sleeve and finish the sleeve opening



8. Attach the sleeve to the body to finish

