



Small Shoulder Pouch with a Gathered Accent

Design & work: Mioko Sugino

Size : 17cm (l) x 25cm (w)

have fun with KOKKA fabric! produced by **KOKKA**

kokka-fabric.com

The craft projects and works featured in kokka-fabric.com are strictly for personal use and enjoyment. Please refrain from selling handmade items using the same exact design (including the pieces made in different fabrics) featured in kokka-fabric.com.

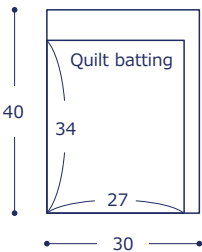
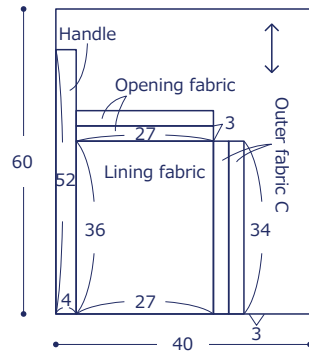
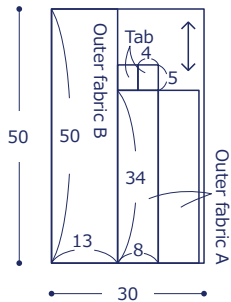
Materials

- Fabric (Outer fabric A, B, Tab): 30cm×50cm (Outer fabric C, Lining fabric, Opening fabric, Handle (Canvas)): 40cm×60cm
- Quilt batting: 30cm×40cm
- Swivel hooks: 2 pieces (1.2cm inside diameter)
- D rings: 2 pieces (1cm inside diameter)
- Magnetic hook (sew on type): 1 pair (1.4cm diameter)

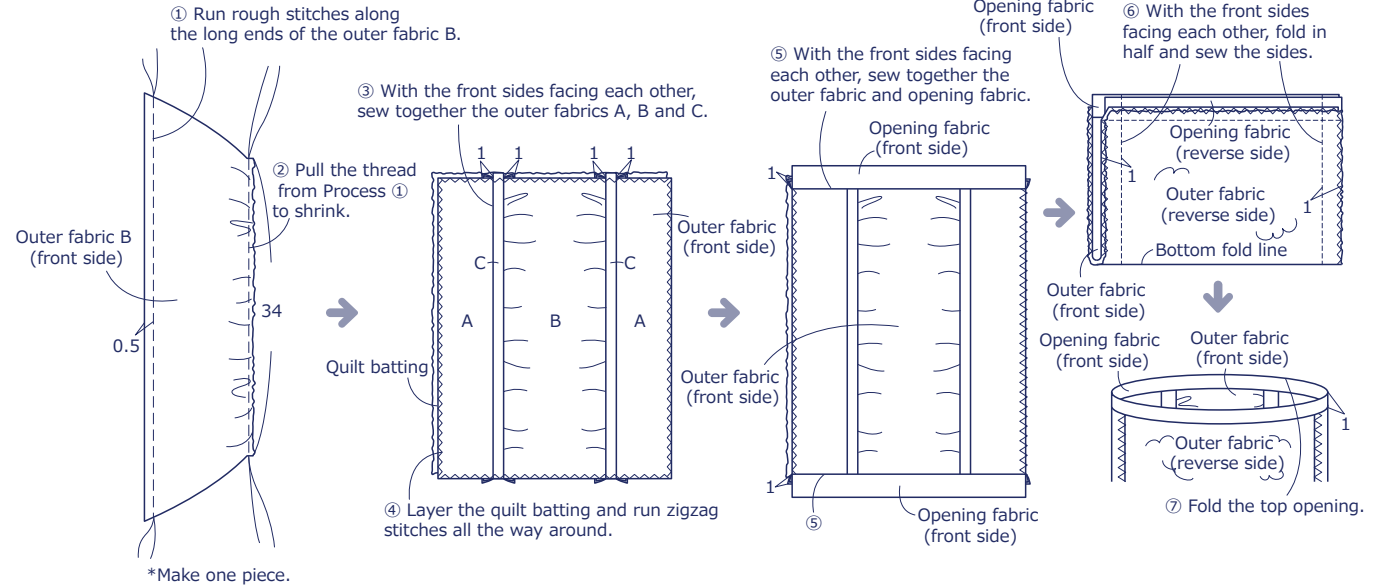
Fabric shown for this sample: JG50200-201 (C)

Pattern

All measurements are in centimeters (cm.) The edges are left cut.



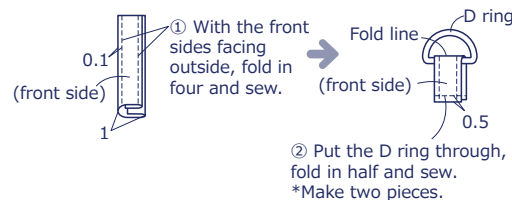
1. Make the outer bag.



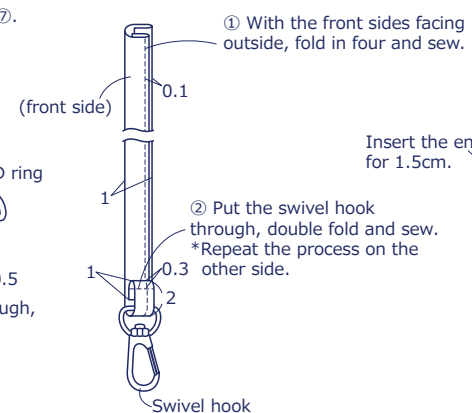
2. Make the lining bag.

Repeat the same process as in Step 1 ⑥ - ⑦.

3. Make the tab.



4. Make the handle.



5. Sew together the outer bag and lining bag.

