



# Tote Bag with Scrunched Handles

Design & work: Kanae Nakayama

Size: 23cm (l) 39cm (w – at the top)  
25cm (w – at the bottom) 14cm (d)

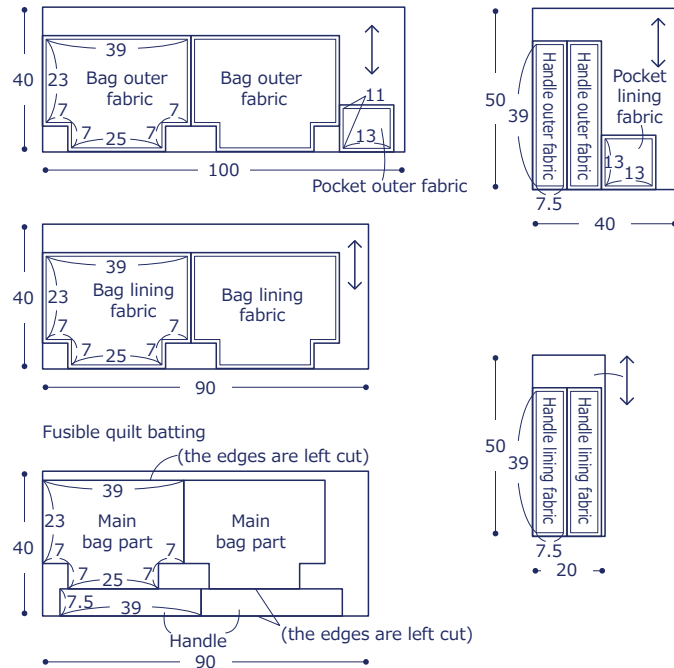
## Materials

- Fabric (Bag Outer Fabric, Pocket Outer Fabric): 100cm×40cm  
(Bag Lining Fabric) : 90cm×40cm  
(Handle Outer Fabric, Pocket Lining Fabric): 40cm×50cm  
(Handle Lining Fabric): 20cm×50cm
- Fusible Quilt Batting: 90cm×40cm
- Sashiko Embroidery Thread

Fabric shown for this sample: PIKKU SAARI JG50410-1 (A)

## Pattern and Cutting Layout

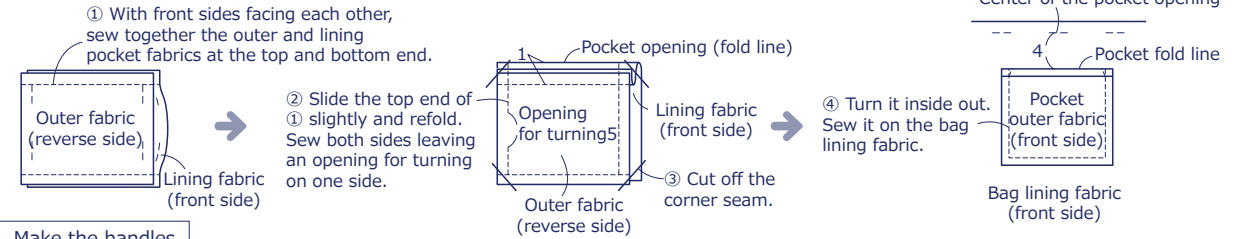
All measurements are in centimeters (cm). Add 1cm seam allowances unless otherwise stated.



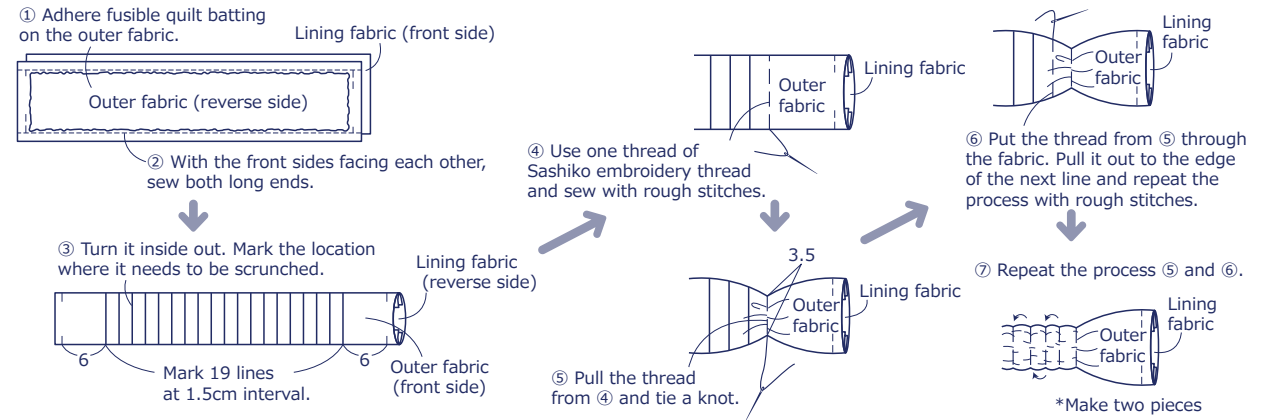
The craft projects and works featured in kokka-fabric.com are strictly for personal use and enjoyment.  
Please refrain from selling handmade items using the same exact design (including the pieces made in different fabrics) featured in kokka-fabric.com.

## Instructions

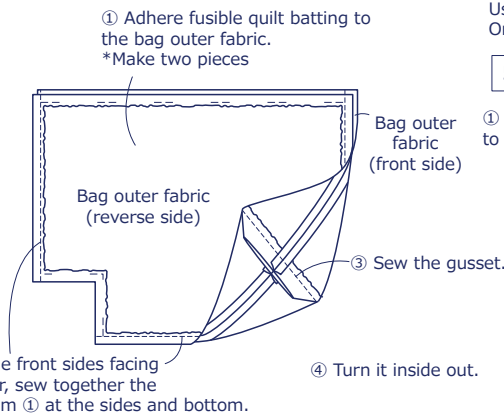
### 1. Make the pocket.



### 2. Make the handles.



### 3. Make the outer bag.



### 4. Make the lining bag.

Using the bag lining fabric, repeat the process from Step 3 - ② and ③. On process ②, make sure to leave an opening for turning on one side for 10cm.

### 5. Sew together the outer bag and lining bag.

