



Fluffy Shoulder Bag

Design & work: Mioko Sugino

Size: 22cm (l) 32cm (w - top opening) 6cm (d)

have fun with KOKKA fabric! produced by **KOKKA**

kokka-fabric.com

The craft projects and works featured in kokka-fabric.com are strictly for personal use and enjoyment. Please refrain from selling handmade items using the same exact design (including the pieces made in different fabrics) featured in kokka-fabric.com.

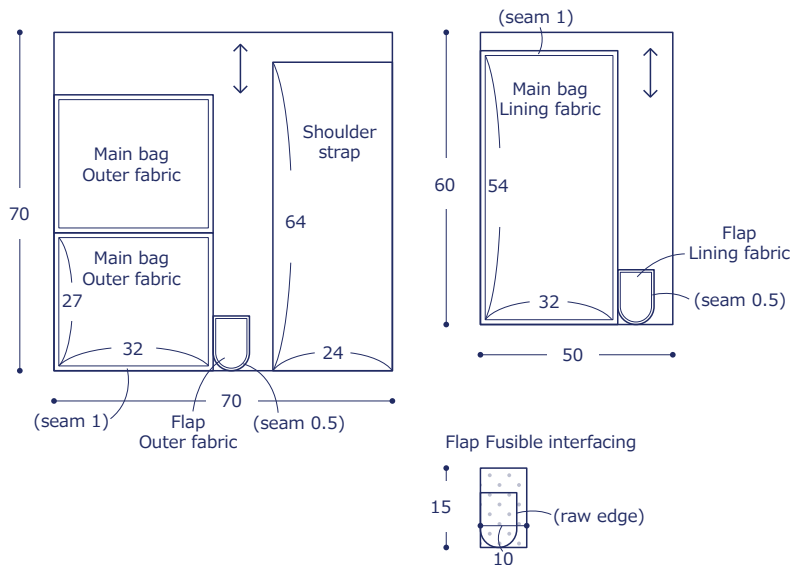
Materials

- Fabric (Outer fabric, Shoulder strap): 70cm×70cm
(Lining fabric): 50cm×60cm
- Fusible interfacing: 10cm x 15cm
- Button: one piece (2.2cm diameter)

Fabric shown for this sample: obiko JG50510-1 (A)

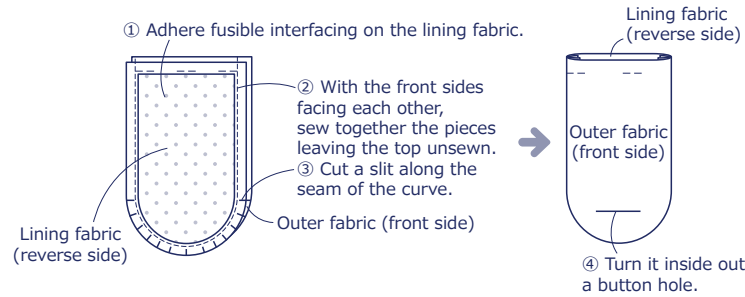
Pattern and Cutting Layout

All measurements are in centimeters (cm). Numbers in () denote seam allowance. The edges are left cut unless specified.

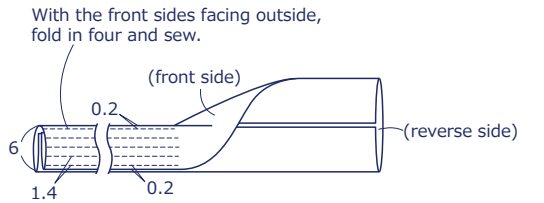


Instructions

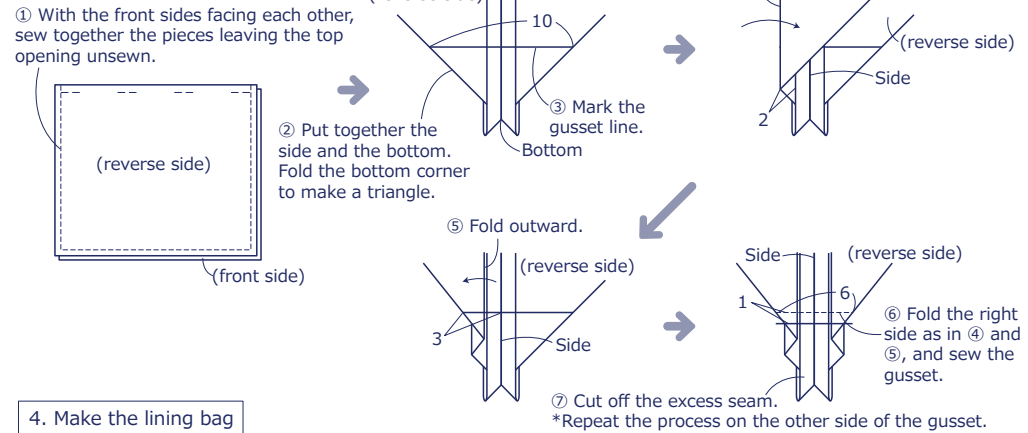
1. Prepare the flap



2. Make the shoulder strap

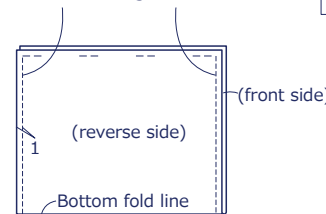


3. Make the outer bag



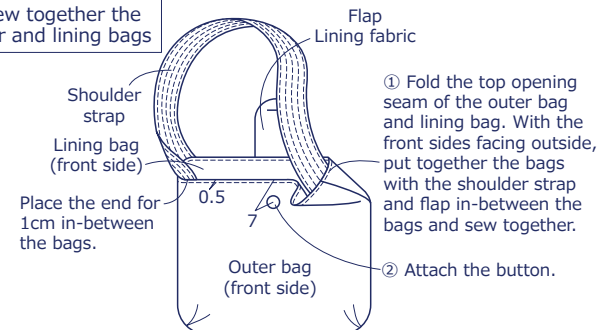
4. Make the lining bag

- ① With the front sides facing each other, sew together the sides.



- ② Repeat the process as in Step 3 ②~⑦.

5. Sew together the outer and lining bags



Flap pattern to scale

