



Portable Box Tissue Case

Design & work created by Masumi Saito (sinafuku)

Size: 24cm x about 12cm (when tab is opened)

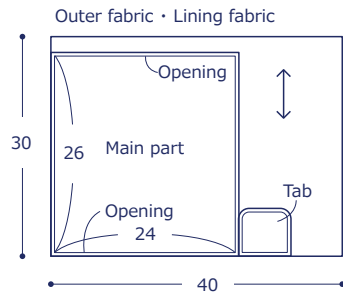
Materials

- Fabric (Outer fabric): 40cm x 30cm
(Lining fabric): 40cm x 30cm
- Ring Snap Button: 3 pairs (1cm diameter)

Fabric shown for this sample: PUTITE ECOLE H10400-401 (B)

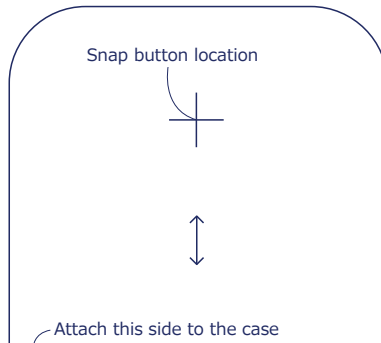
Pattern and Cutting Layout

All measurements are in centimeters (cm). Add 1cm seam when cutting.



Pattern to scale

Tab outer fabric · lining fabric

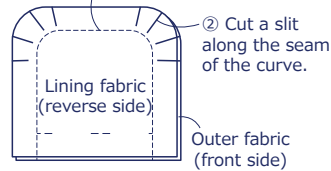


The craft projects and works featured in kokka-fabric.com are strictly for personal use and enjoyment.
Please refrain from selling handmade items using the same exact design (including the pieces made in different fabrics) featured in kokka-fabric.com.

Instructions

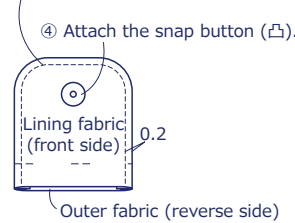
1. Make the tab

① With the front sides facing each other, sew together the outer and lining tabs with the attachment side unsewn.



② Cut a slit along the seam of the curve.

③ Turn it inside out and run stitches.

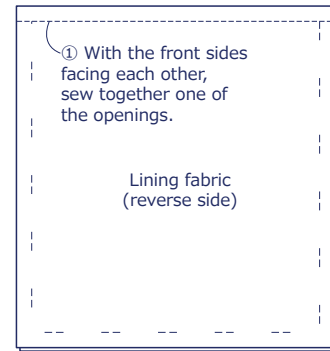


④ Attach the snap button (凸).

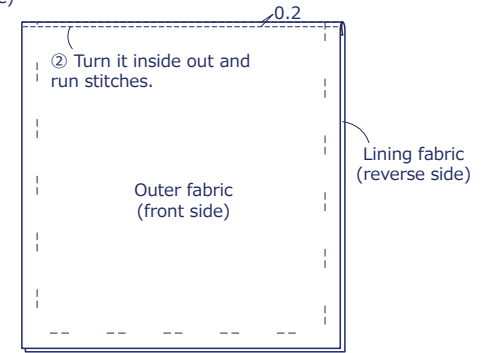
③ Again with the front sides facing each other, fold as shown and pin it.

2. Make the main part

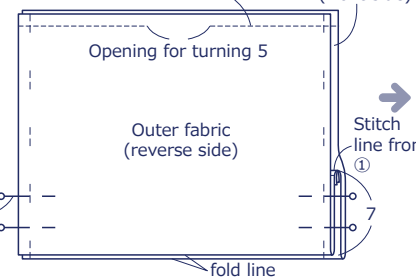
① With the front sides facing each other, sew together one of the openings.



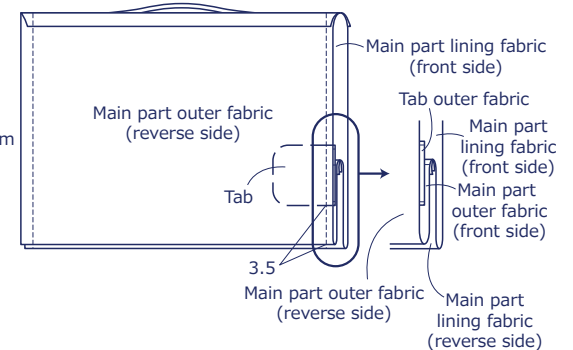
② Turn it inside out and run stitches.



④ Leaving an opening for turning, sew the opening on the other side.

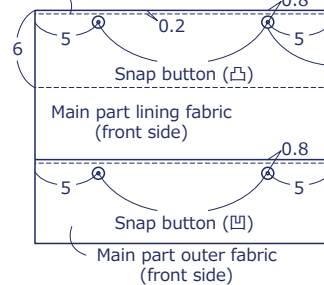


⑤ Press the seam from ④ open and sew both ends. (Insert the tab on one side.)

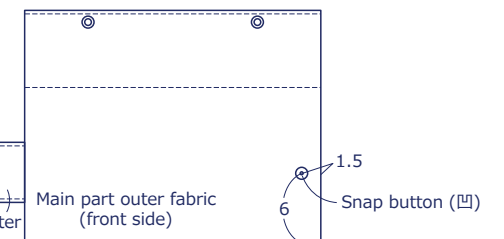


3. Attach the snap buttons on the main part

① Turn it inside out and run stitches.



② Attach the snap button.



(When attaching the button, avoid the pocket fabric)