



Semi Circular Skirt

Design & work: Anriko

Size: Skirt length 67cm

have fun with KOKKA fabric! produced by **KOKKA**

kokka-fabric.com

The craft projects and works featured in kokka-fabric.com are strictly for personal use and enjoyment.
Please refrain from selling handmade items using the same exact design (including the pieces made in different fabrics) featured in kokka-fabric.com.

Materials

- Fabric: 110cm wide×2m
- Elastic Tape: Waist measurement (3cm wide)

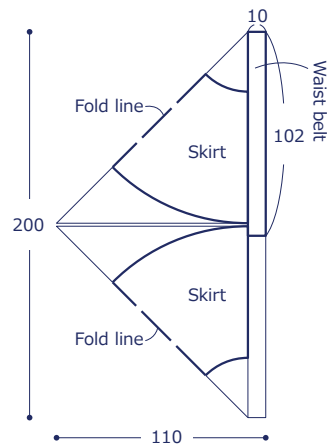
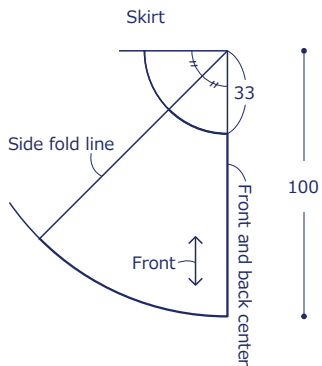
Fabric shown for this sample: FABRIC CARAVAN BY YURTAO JG50720-1 (B)

Pattern

All measurements are in centimeters (cm).

Cutting Layout

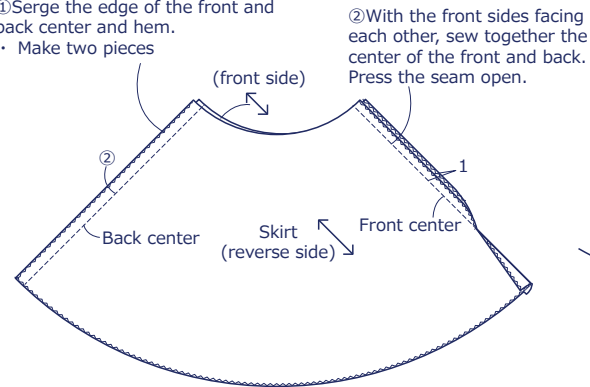
The edges are left cut.



Instructions

1. Sew the front and back center.

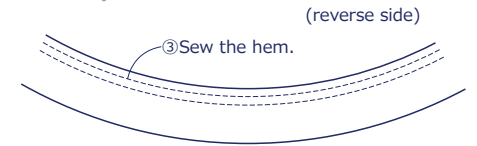
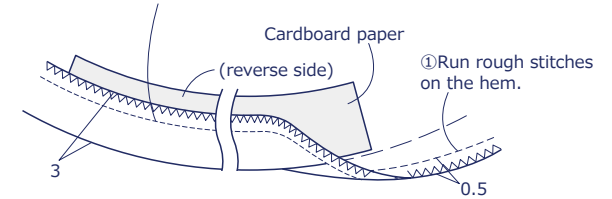
- ① Serge the edge of the front and back center and hem.
- Make two pieces



- ② With the front sides facing each other, sew together the center of the front and back. Press the seam open.

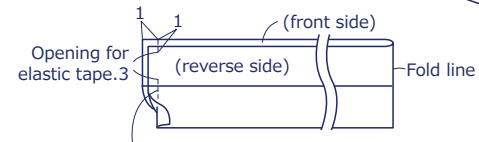
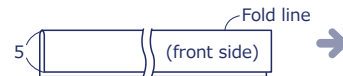
2. Sew the hem.

- ② Cut a cardboard piece matching along the curved line. Place it on the fabric along the curve and fold the fabric edge. Pull the thread from ① and iron to align the shape.



3. Make the waist belt.

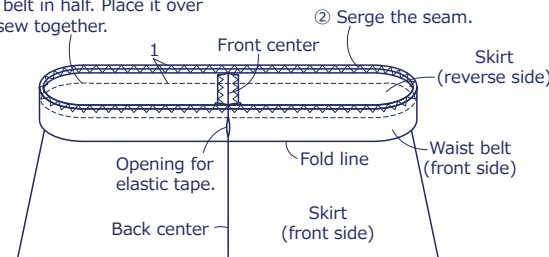
- ① With the front sides facing outside, fold in half to create.



- ② Open the fold from ① and fold sideways with the front sides facing each other. Sew the end leaving an opening for turning. Press the seam open.

4. Attach the waist belt.

- ① With the front sides facing outside, fold the waist belt in half. Place it over the skirt and sew together.



- ③ Press down the seam from ② to the skirt side and run top stitches.
- ④ Put the elastic through and sew to secure.

