



# Furoshiki Bag with a piecework

Design & work: Anriko

Size: about 25cm (l)  
about 40cm (w - opening)  
(Bottom) about 25cm

have fun with KOKKA fabric! produced by **KOKKA**

**kokka-fabric.com**

The craft projects and works featured in kokka-fabric.com are strictly for personal use and enjoyment.  
Please refrain from selling handmade items using the same exact design (including the pieces made in different fabrics) featured in kokka-fabric.com.

## Materials (for one bag)

- Fabric: (Patchwork fabric A) 90cm×20cm  
(Patchwork fabric B) 80cm×20cm  
(Bag lining fabric, handle) 60cm×50cm
- Fusible interfacing: 10cm×15cm

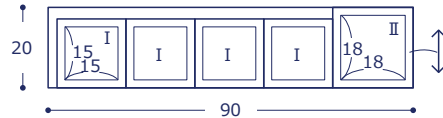
Fabric shown for this sample:

- Patchwork fabric A: wanderlust JG50600-601 (C)
- Patchwork fabric B: wanderlust JG50600-602 (A)
- Bag lining fabric, handle: wanderlust JG50600-602 (B)

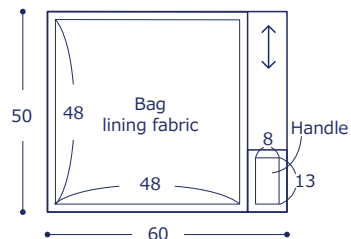
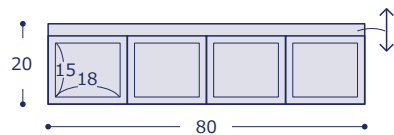
## Pattern and Cutting Layout

All measurements are in centimeters (cm). Add 1cm seam allowance.

### A Patchwork fabric



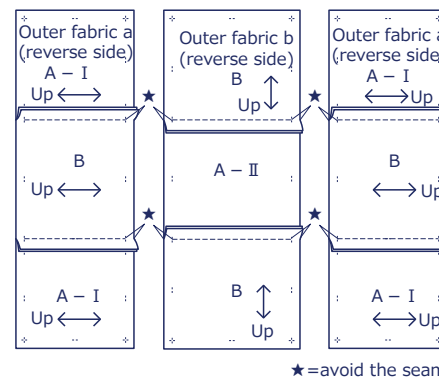
### B Patchwork fabric



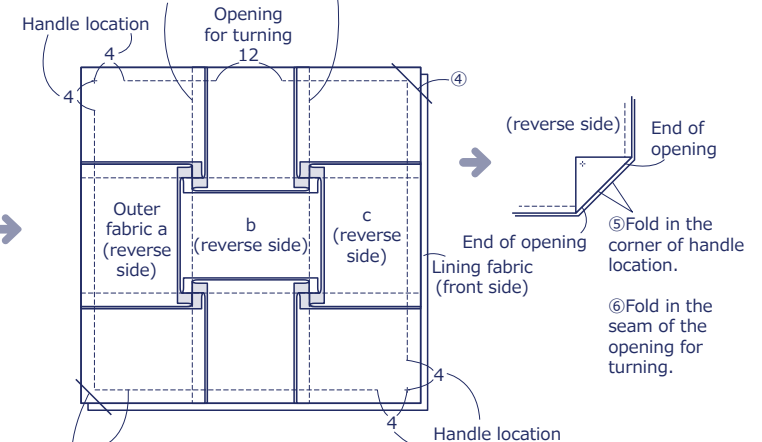
## Instructions

### 1. Make the main panel.

① Create a patchwork piece. Press the seam down to one side. Make the outer fabric a, b and c. (Make sure the directions of the patterns are facing up where they will be facing outside when finished. A-II could face either direction.)



② With the front sides facing each other, sew together the outer fabrics a, b and c. Press the seam down as shown.



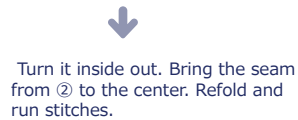
③ With the front sides facing each other, sew together the outer fabric and lining fabric, leaving the handle location and opening for turning unsewn.  
④ Cut off the excess corner seam except for the handle location.

### 2. Make the handle.

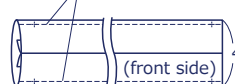
① Adhere the interfacing.



② With the front sides facing each other, fold in two and sew the long ends.

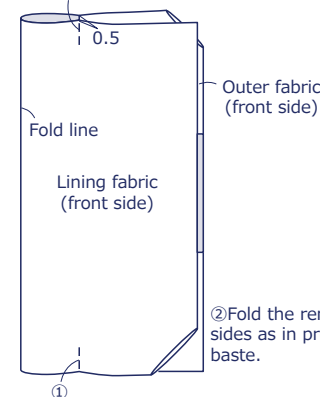


Turn it inside out. Bring the seam from ② to the center. Refold and run stitches.

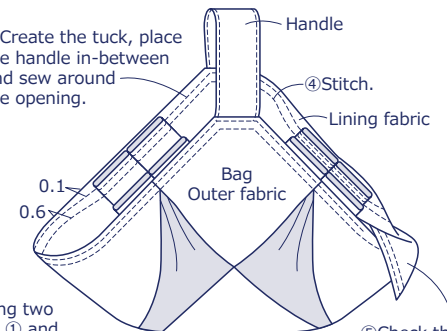


### 3. Create the tuck and attach the handle.

① Turn the bag inside out and fold as shown. Baste at the joint.



③ Create the tuck, place the handle in-between and sew around the opening.



② Fold the remaining two sides as in process ① and baste.

⑤ Check the balance and fold both ends.