



Trapezoid Pouch

Design & work: Kanae Nakayama

Size: 14cm (l) 18cm (w - opening)
24cm (bottom) 8cm (d)

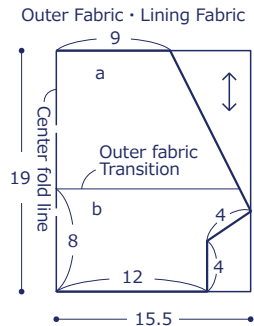
Materials

- Fabric (Outer fabric a): 70cm×20cm
(Outer fabric b): 70cm×10cm
(Lining fabric): 70cm×20cm
- Fusible quilt batting: 70cm x 20cm
- Zipper: 1 piece x 18cm
- Charm: 1 piece
- Jump rings: 1 piece (0.5cm diameter)

Fabric shown for this sample: Nordic Line P39400-401 (A)

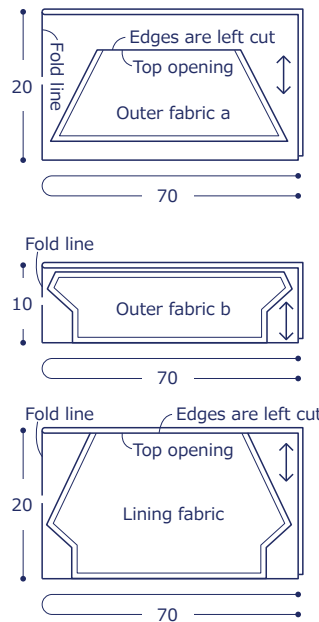
Pattern

All measurements are in centimeters (cm.)



Cutting Layout

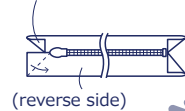
Add 1cm seam allowance unless otherwise stated.



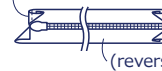
Instructions

1. Prepare the zipper.

① Fold the edge of the zipper.

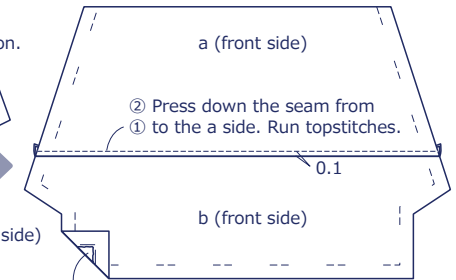
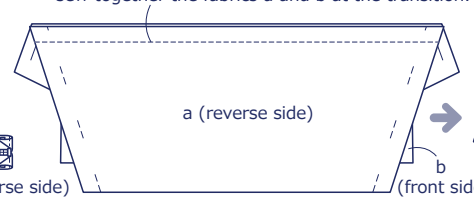


② Fold the triangle edge from ① again and sew to secure.



2. Make the outer fabric.

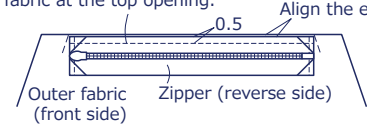
① With the front sides facing each other, sew together the fabrics a and b at the transition.



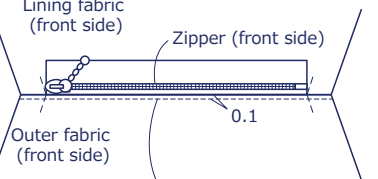
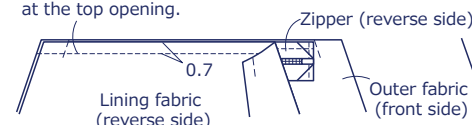
③ Adhere fusible quilt batting in all locations except the seam.
• Make two pieces.

3. Attach the zipper.

① With the front sides facing each other, sew together the zipper and the outer fabric at the top opening.



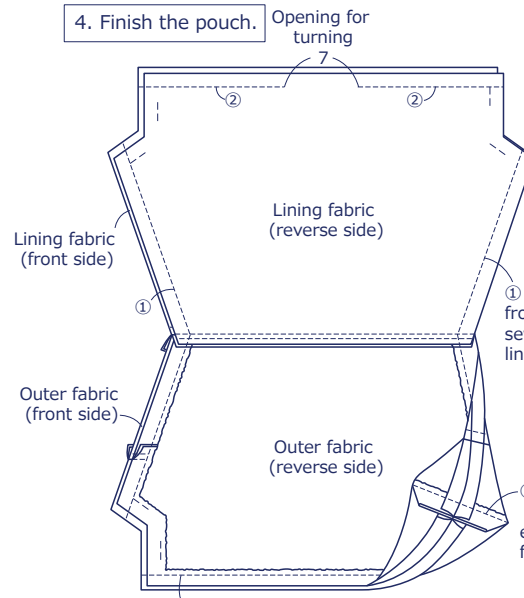
② With the front sides facing each other, sew together the outer and lining fabrics at the top opening.



③ Press down the seam from step ② to the outer fabric side. Run stitches avoiding the lining fabric.
④ Repeat the same process (zipper, outer fabric & lining fabric) on the other piece. Follow steps ①~③.

4. Finish the pouch.

Opening for turning



② Sew the bottom.
(Leave an opening for turning on the lining fabric)

① Open the zipper. With the front sides facing each other, sew the sides of outer fabric and lining fabric respectively.

④ Turn it inside out and close the opening. Align the shape.
⑤ Attach the charm to the zipper using a jump ring.

