



The craft projects and works featured in kokka-fabric.com are strictly for personal use and enjoyment.  
Please refrain from selling handmade items using the same exact design (including the pieces made in different fabrics) featured in kokka-fabric.com.

## Caramel Pouch (Caramel wrapper shaped small case)

Design & work: Yui Tamaki

Size: about 8cm (l) about 16cm (w) about 8cm (d)

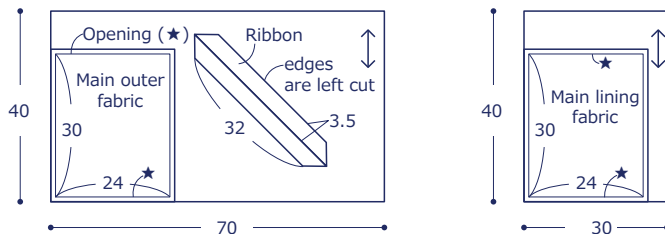
### Materials

- Fabric (Main outer fabric, Ribbon): 70cm×40cm  
(Main lining fabric (#11 Canvas)): 30cm×40cm
- Leather: (tab) 6cm x 2.5cm
- Zipper: One piece (24cm long)
- Double fold bias binding tape: 30cm (2.5cm wide)
- Teardrop shaped embellishment: Three pieces (2cm long)

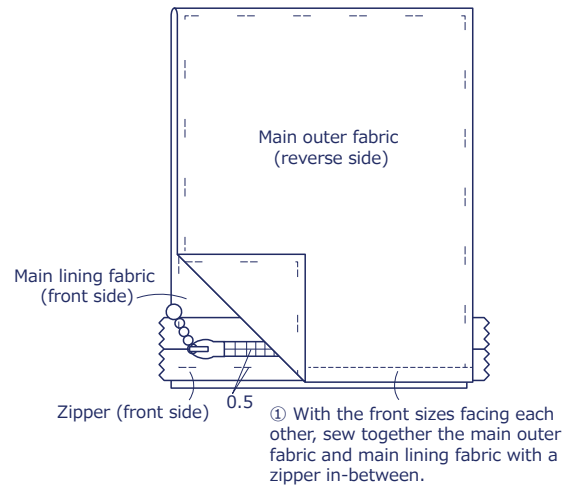
Fabric shown for this sample: echino joy JG96600—602 (B)

### Pattern and Cutting Layout

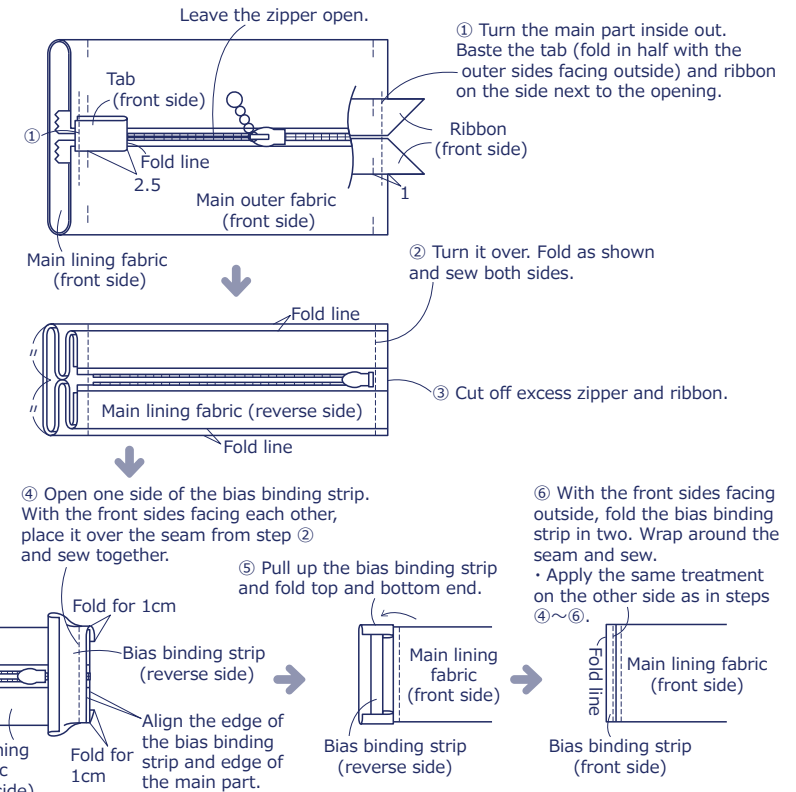
All measurements are in centimeters (cm).  
Add 1cm seam allowance unless specified otherwise.



#### 1. Attach the zipper



#### 2. Make the main part.



#### 3. Finish the pouch.

