



Drawstring Bag

have fun with KOKKA fabric! produced by **KOKKA**

kokka-fabric.com

The craft projects and works featured in kokka-fabric.com are strictly for personal use and enjoyment.
Please refrain from selling handmade items using the same exact design (including the pieces made in different fabrics) featured in kokka-fabric.com.

Design & Work: Kokka Fabric

Size:

<Drawstring Bag Large> about 55cm (l) about 42cm (w)
(handle not included)

<Drawstring Bag Small> about 43cm (l) about 32cm (w)
(handle not included)

Materials

<Drawstring Bag Large>

- Outer fabric: 106cm wide x 70cm
- Herringbone tape: 2cm wide x 80cm
- Handle tape: 5cm wide x 160cm
- Round rope (medium) x 100cm

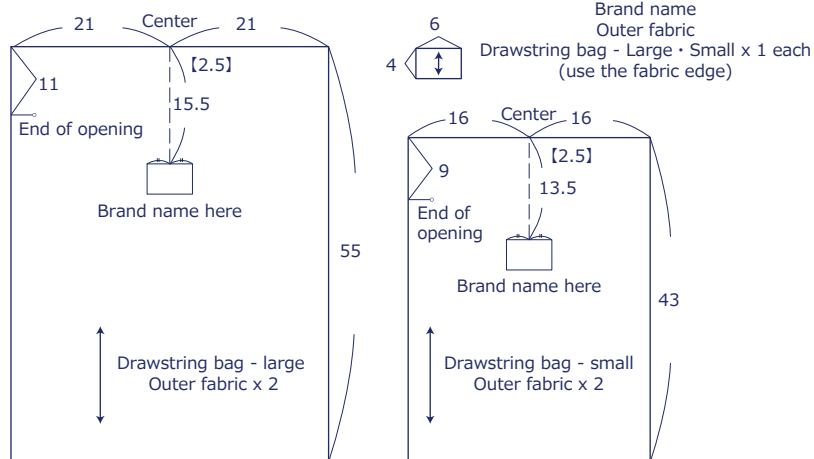
<Drawstring Bag Small>

- Outer fabric: 106cm wide x 50cm
- Herringbone tape: 2cm wide x 60cm
- Handle tape: 5cm wide x 130cm
- Round rope (medium) x 80cm

Fabric shown for this sample: 3min. JGA20030-2(B)

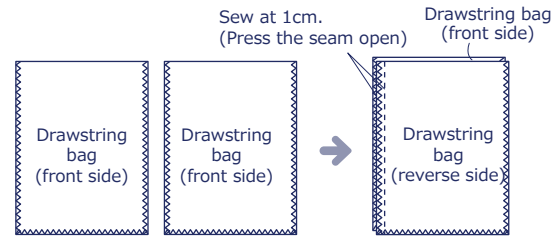
Pattern

Unit: cm []: Seam allowance. Add 1cm seam allowance unless specified otherwise.

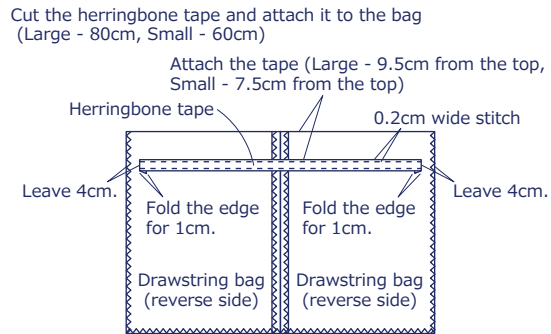


Instructions

1. Serge the sides and bottom. Sew one of the sides.

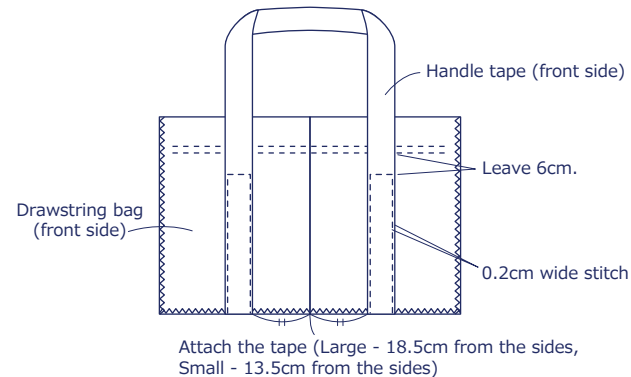


2. With the front sides facing each other, sew one of the sides. Attach the herringbone tape.

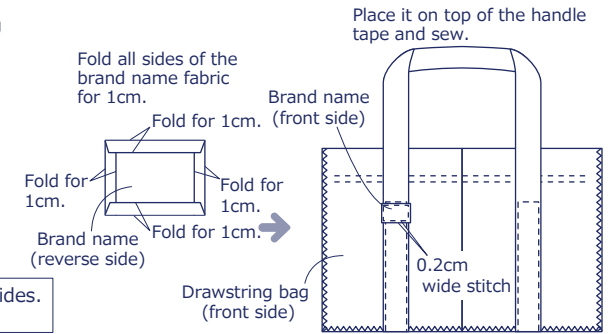


3. Attach the handles.

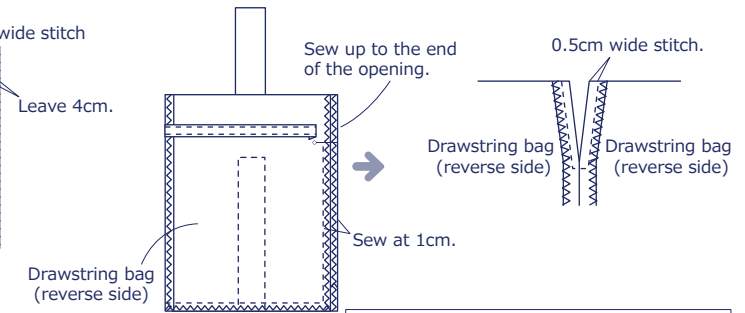
Cut the handle tape and attach it to the bag
(Large - 160cm, Small - 130cm)



4. Attach the brand name.



5. With the front sides facing each other, sew together the other side and bottom. Create the opening.



6. Double fold the bag opening and sew. Put through the rope to finish.

Put the round cord through the herringbone tape
(Large - 100cm, Small - 80cm)

