



Messenger Bag

Design & work: Anriko

Size: 22cm (l) 36 (maximum width)
10cm (maximum depth)

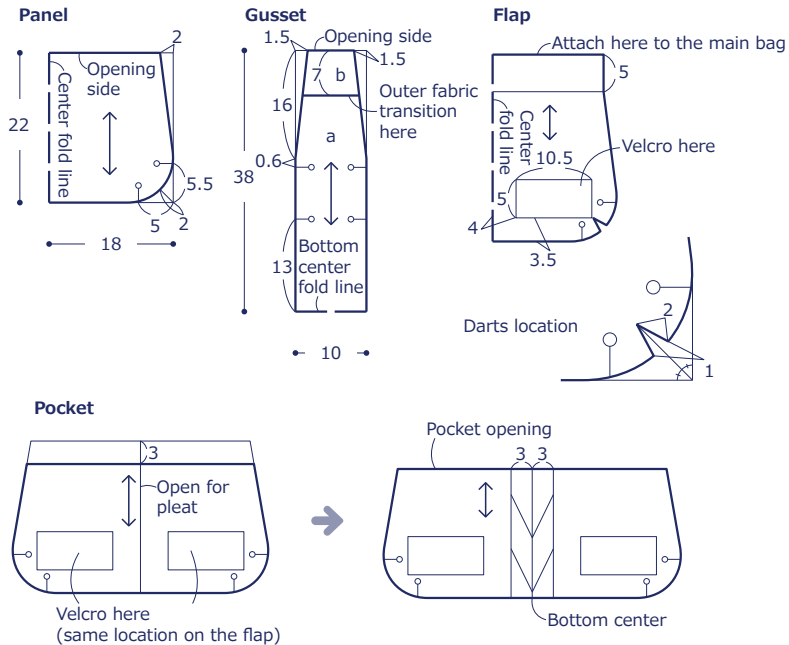
Materials

- Fabric (Flap): 80cm×30cm
(Other (Cotton Twill): 110cm wide×140cm)
- Fusible interfacing (Medium thickness): 90cm×80cm
- Quilt batting: 4cm×140cm
- Square ring, Slide adjuster: One each-4cm inner diameter
- Velcro: Two pairs-10.5cm×5cm

Fabric shown for this sample: echino JG96160-61 (A)

Pattern

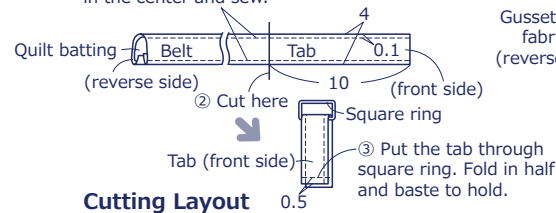
All measurements are in centimeters (cm).
Use the panel pattern as a base for the flap and pocket.



Instructions

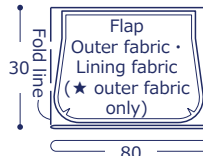
1. Make the belt and tab.

① Fold the seam on the long end. With the front sides facing outside, fold the belt in half. Place the quilt batting in the center and sew.

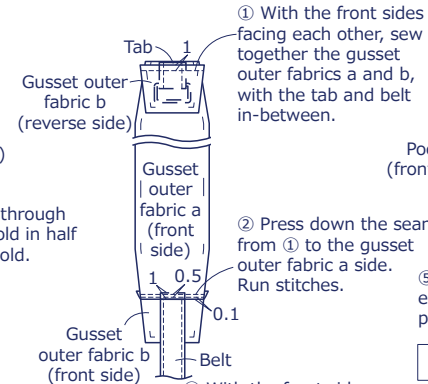


Cutting Layout

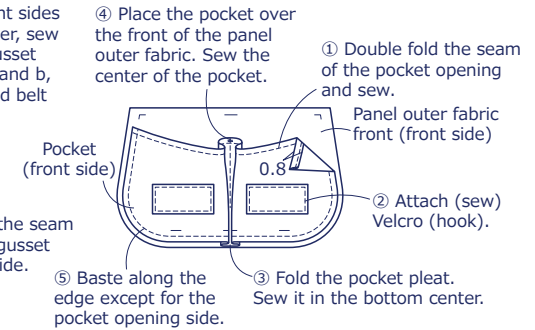
All seam allowances 1cm unless otherwise stated. Attach fusible interfacing on the back of ★.



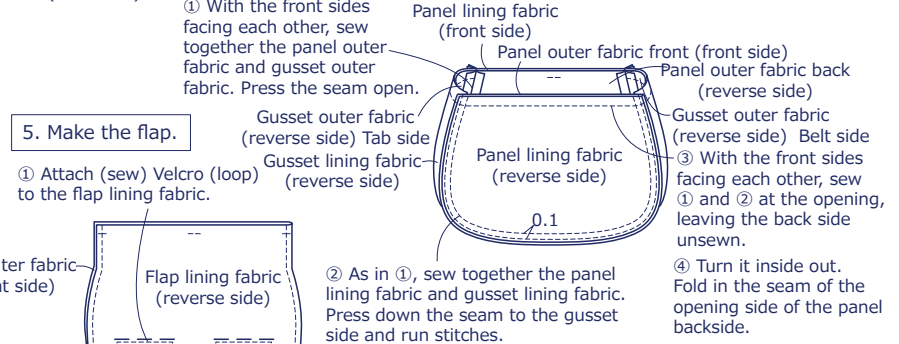
2. Make the gusset outer fabric.



3. Make the pocket.

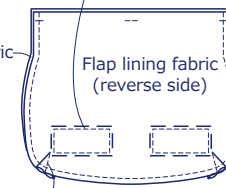


4. Make the outer bag and lining bag.

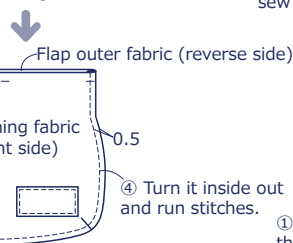
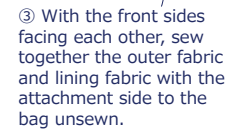


5. Make the flap.

① Attach (sew) Velcro (loop) to the flap lining fabric.



② Sew the darts. Press down the outer fabric dart to the center. Press down the lining fabric dart to the side edge.



② As in ①, sew together the panel lining fabric and gusset lining fabric. Press down the seam to the gusset side and run stitches.

6. Finish the bag.

