



Tote Bag with a gusset

Design & work: Kokka Fabric

Size: about 32cm (l)
 about 33cm (w)
 about 20cm (d)
 *handles excluded

have fun with KOKKA fabric! produced by **KOKKA**

kokka-fabric.com

The craft projects and works featured in kokka-fabric.com are strictly for personal use and enjoyment.
 Please refrain from selling handmade items using the same exact design (including the pieces made in different fabrics) featured in kokka-fabric.com.

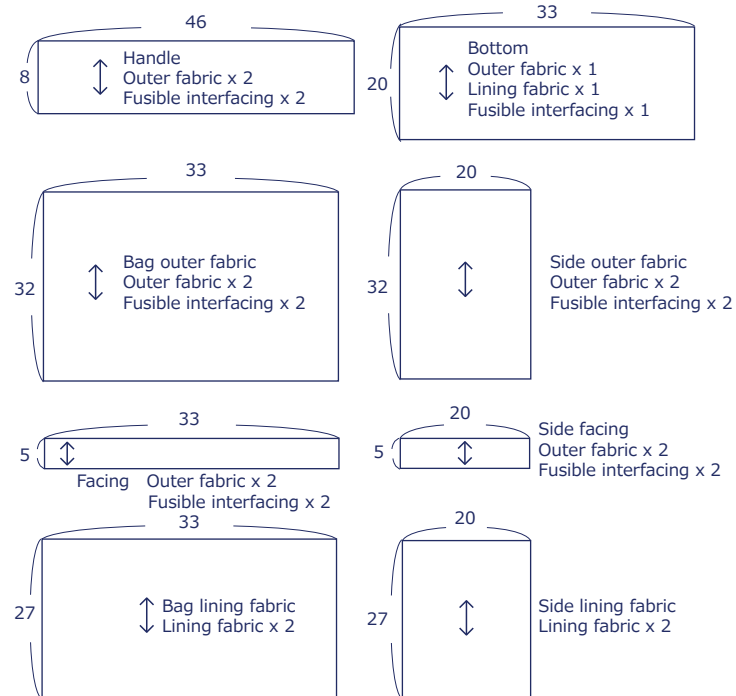
Materials

- Outer fabric: 110cm wide×90cm
- Lining fabric: 110cm wide×70cm
- Fusible interfacing (thick): 110cm wide×90cm
- Magnetic hook: 15mm diameter×1pair

Fabric shown for this sample: KESHIKI JG30000-1 ©

Pattern and Cutting Layout

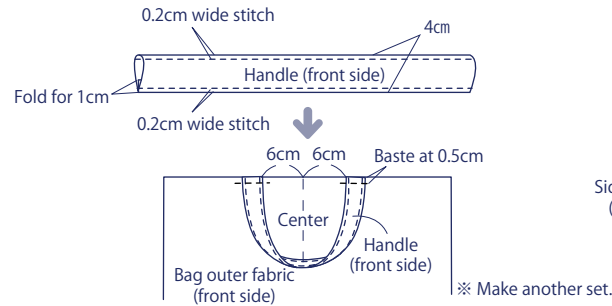
Unit: cm
 Add 1cm seam when cutting the fabric.



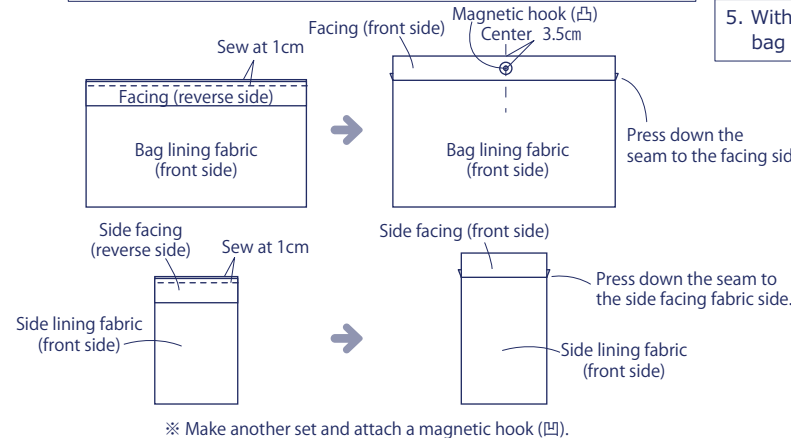
※ Adhere fusible interfacing on the back of all outer fabrics.

Instructions

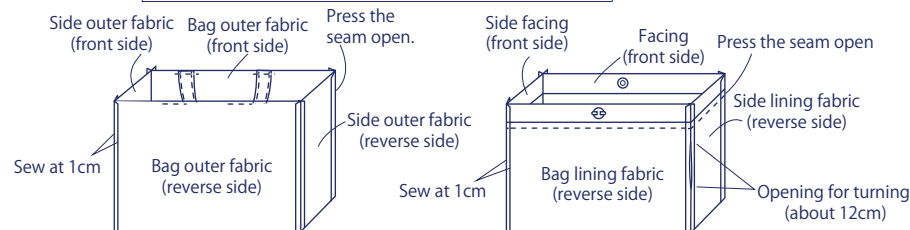
1. Make the handles and baste them to the bag outer fabric.



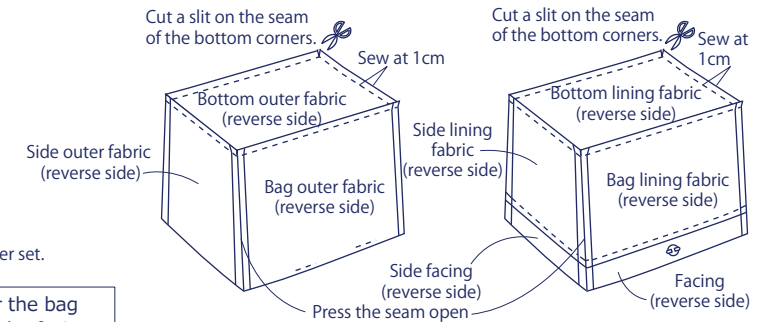
2. With the front sides facing each other, sew together the bag lining fabric and facing. Attach a magnetic hook on the facing.



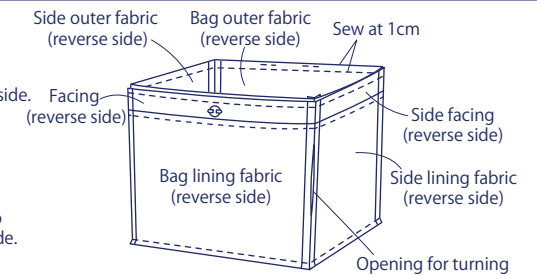
3. With the front sides facing each other, sew together the bag fabrics and side fabrics.



4. With the front sides facing each other, sew together the bag and bottom.



5. With the front sides facing each other, sew together the outer bag fabric and lining bag fabric at the top opening.



6. Turn the bag inside out and run stitches around the top opening.

