



# Cache Coeur (Wrap Around) Dress

Design & work: Kokka Fabric

Size: Medium

have fun with KOKKA fabric! produced by **KOKKA**

[kokka-fabric.com](http://kokka-fabric.com)

The craft projects and works featured in kokka-fabric.com are strictly for personal use and enjoyment.  
Please refrain from selling handmade items using the same exact design (including the pieces made in different fabrics) featured in kokka-fabric.com.

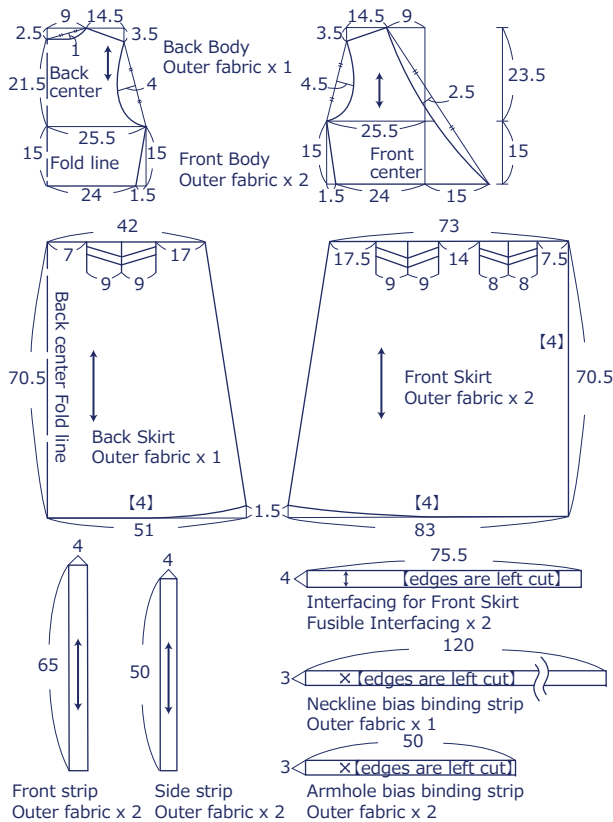
## Materials

- Outer fabric: 106cm wide x 330cm
- Fusible interfacing (thin): 90cm wide x 10cm

Fabric shown for this sample: ellen baker JG42700-701 (A)

## Pattern Making

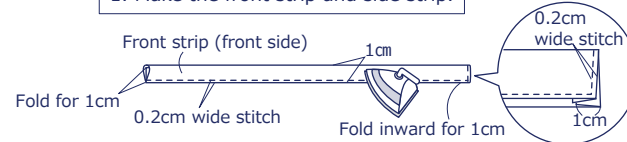
※ Seam not included.  
Unit: Centimeters (cm) [ ]: Seam. All seam allowances 1cm unless otherwise stated.



※ Adhere fusible interfacing on the front edge of the seam of front skirt.  
※ If the bias binding strip is short, piece together the strips to make enough length.

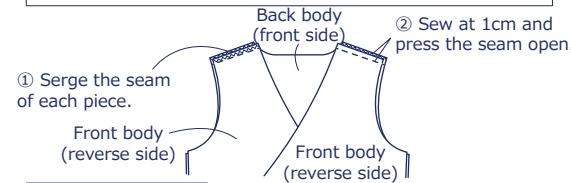
## Instructions

1. Make the front strip and side strip.

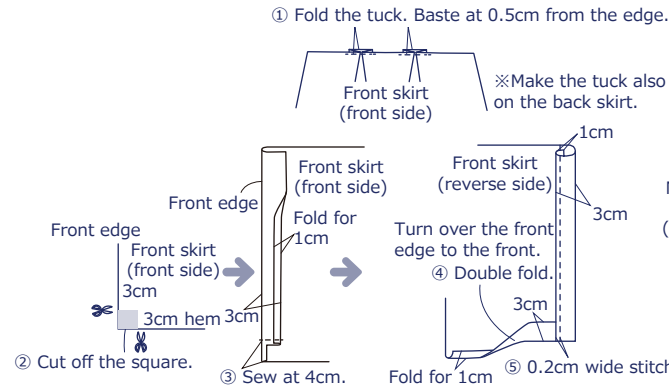


※ Make two pieces each - front strips and side strips

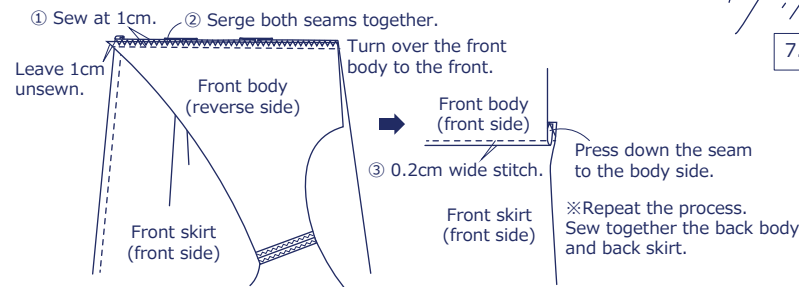
2. With the front sides facing each other, sew together the bodies at the shoulders and sides.



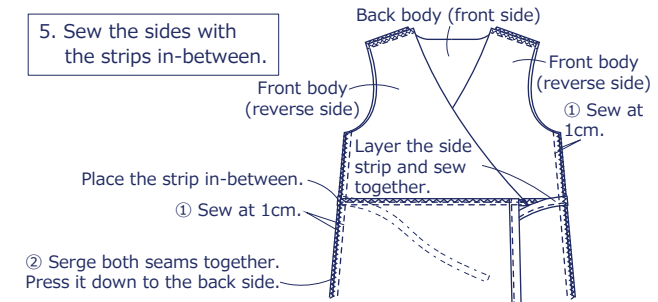
3. Make the skirt.



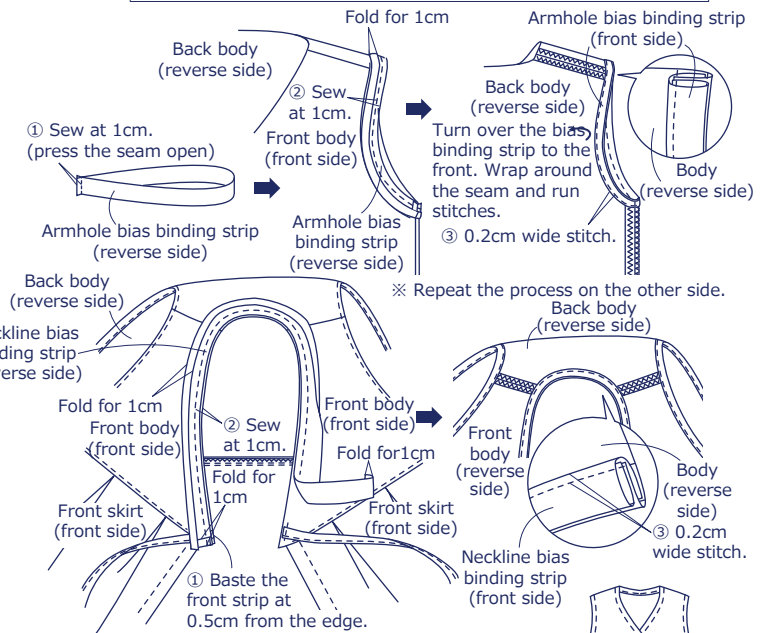
4. With the front sides facing each other, sew together the body and skirt.



5. Sew the sides with the strips in-between.



6. Attach the bias binding strip to the armhole and neckline.



7. Double fold the hem and sew to finish.

