



# Elephant Mini Tote

Design & work: Mioko Sugino

Size: 20cm (l) 28cm (w-at opening) 10cm(d)

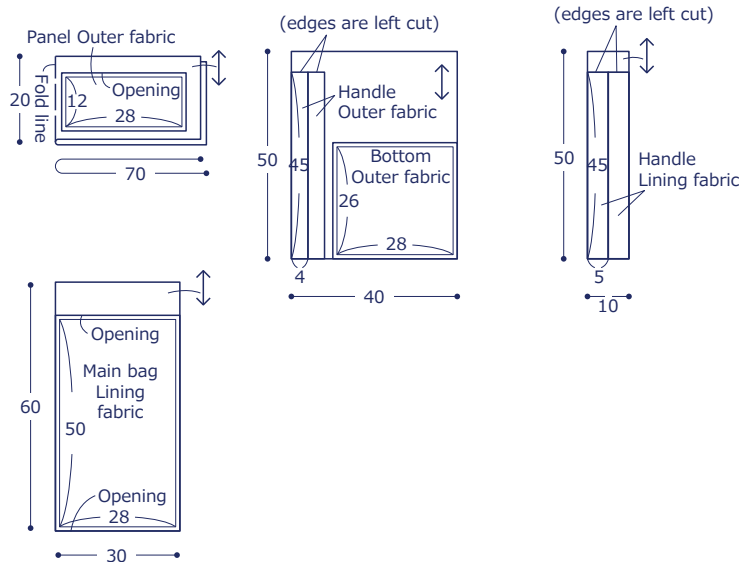
## Materials

- Fabric (Panel outer fabric): 70cm×20cm  
(Bottom outer fabric, Handle outer fabric (#11 Canvas)): 40cm×50cm  
(Handle lining fabric (#11 Canvas)): 10cm×50cm  
(Main bag lining fabric): 30cm×60cm
- Fusible interfacing: 60cm×20cm
- Button: One (2cm diameter)

Fabric shown for this sample: ellen baker JG42800-801 (A)

## Pattern

All measurements are in centimeters (cm). Add 0.8cm seam unless otherwise specified.



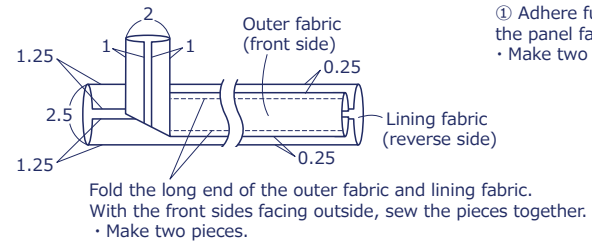
have fun with KOKKA fabric! produced by **KOKKA**

[kokka-fabric.com](http://kokka-fabric.com)

The craft projects and works featured in kokka-fabric.com are strictly for personal use and enjoyment.  
Please refrain from selling handmade items using the same exact design (including the pieces made in different fabrics) featured in kokka-fabric.com.

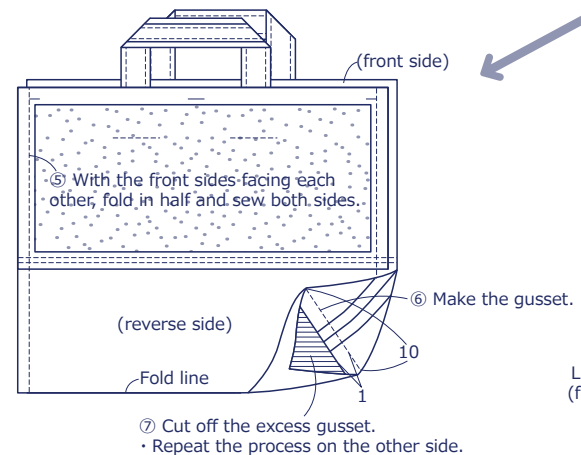
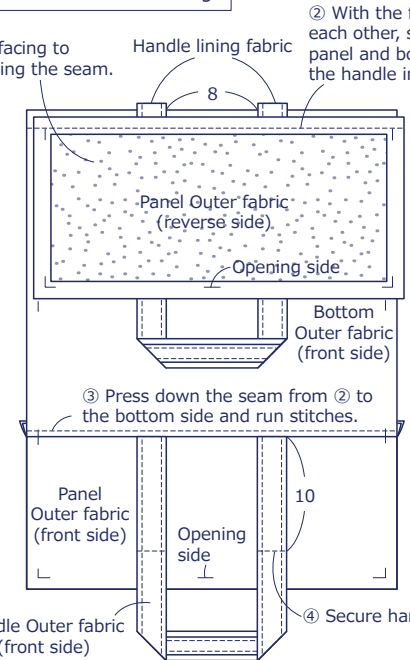
## Instructions

### 1. Make the handle.



### 2. Make the outer bag.

- ① Adhere fusible interfacing to the panel fabric excluding the seam.  
• Make two pieces.



### 3. Make the lining bag.

To make the lining bag, repeat the process ⑤~⑦ in Step 2.

### 4. Finish the bag.

