



Mini Boston Bag

Design & work: Anriko

Size: 18.5cm (l) 25cm (w) 11cm (d)

have fun with KOKKA fabric! produced by **KOKKA**

kokka-fabric.com

The craft projects and works featured in kokka-fabric.com are strictly for personal use and enjoyment. Please refrain from selling handmade items using the same exact design (including the pieces made in different fabrics) featured in kokka-fabric.com.

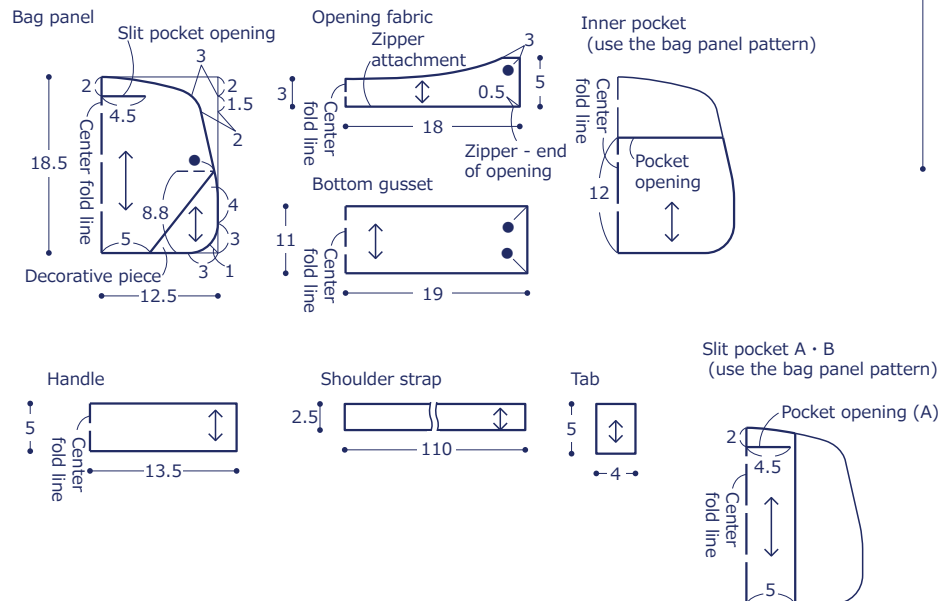
Materials

- Fabric (Panel, Opening, Pocket, Shoulder strap, Bias binding strip, Bottom lining gusset): 110cm wide×70cm
(Handle, Decorative piece, tab, Bottom outer gusset): 50cm×30cm
- Fusible Interfacing: 90cm×20cm
- Zipper: 1 piece (35cm long)
- Elastic tape: 2.5cm wide×22cm
- Swivel hook: 2 pieces (1.3cm inner diameter)
- Slide adjuster: 1 piece (1.3cm inner diameter)
- D Ring: 2 pieces (1.3cm inner diameter)

Fabric shown for this sample: echino ni-co JG90000-102 (B)

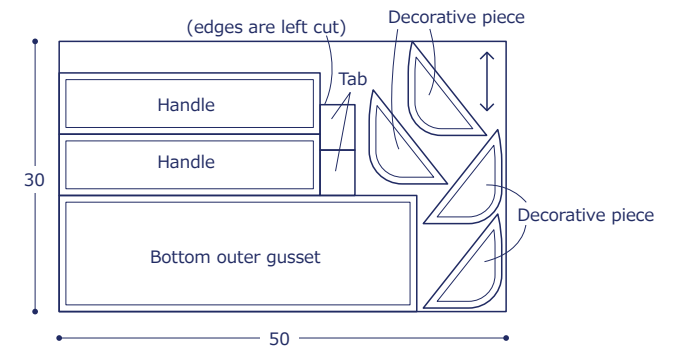
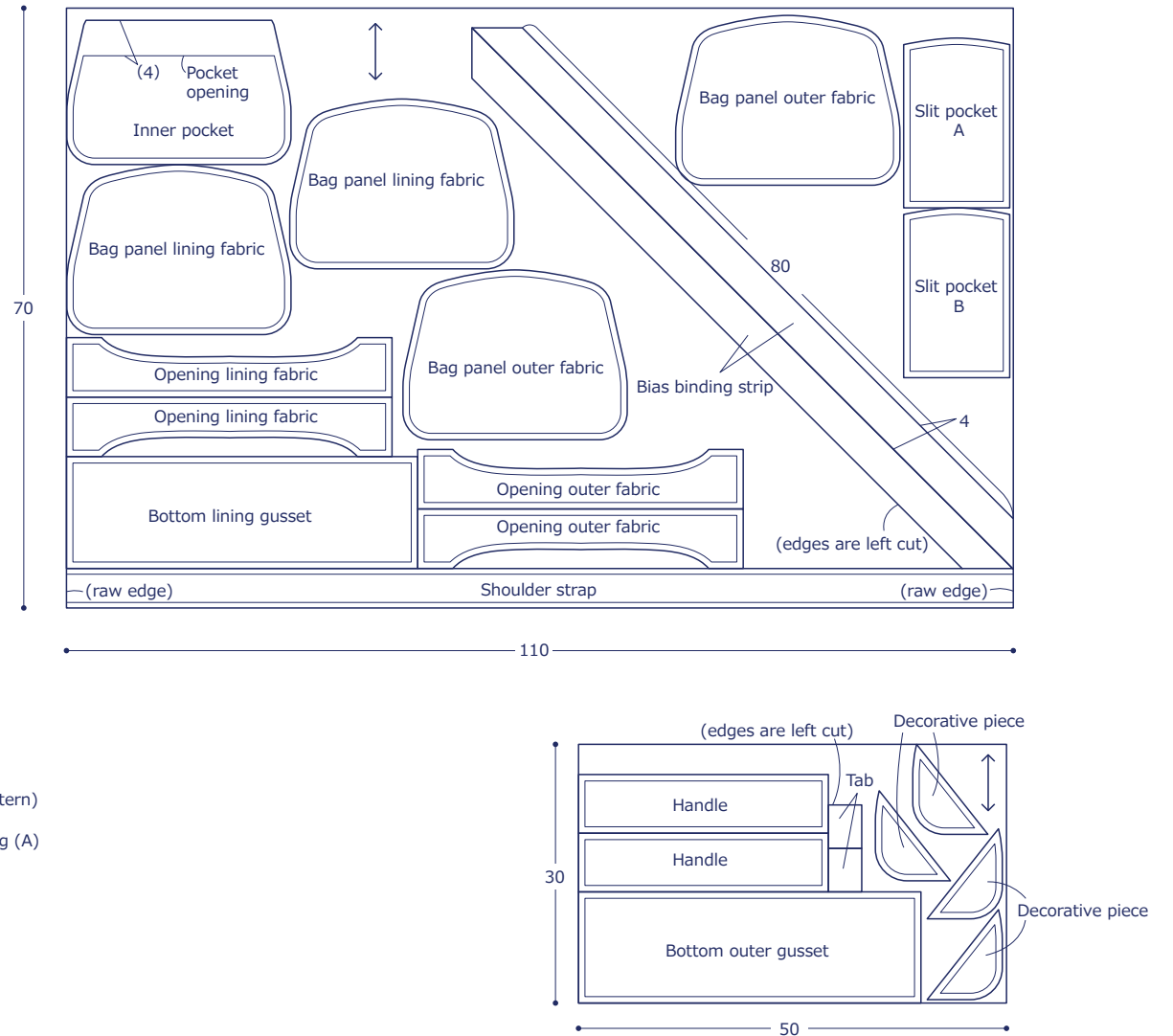
Pattern

Unit: cm



Cutting Layout

Numbers in () denote seam allowance. All seam allowances 1cm unless otherwise stated.

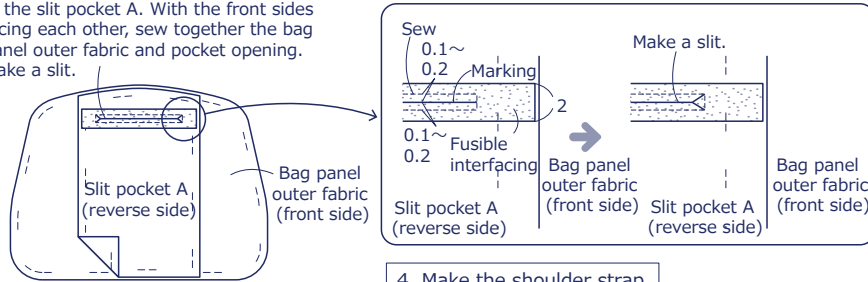


The craft projects and works featured in kokka-fabric.com are strictly for personal use and enjoyment.
Please refrain from selling handmade items using the same exact design (including the pieces made in different fabrics) featured in kokka-fabric.com.

Instructions

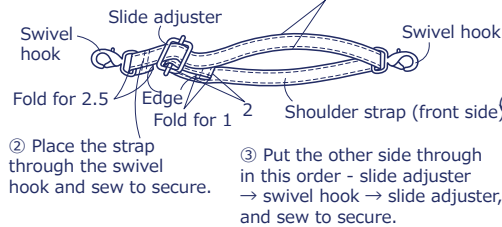
1. Make a slit pocket.

① Adhere fusible interfacing on the opening of the slit pocket A. With the front sides facing each other, sew together the bag panel outer fabric and pocket opening. Make a slit.



4. Make the shoulder strap.

① Fold the seam of the long end. With the front sides facing outside, fold in two and sew.



3. Make the handle.

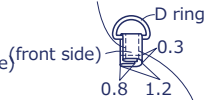
① Adhere fusible interfacing.



② Fold the seam of the long end. With the front sides facing outside, fold in two.
• Make two pieces

5. Make the tab.

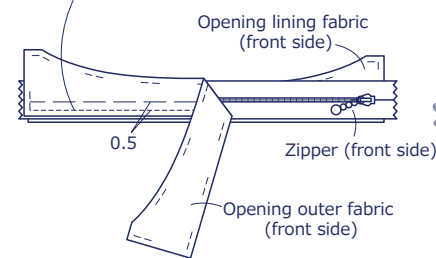
① With the front sides facing outside, fold in four and sew.



② Fold the tab in half. Put the D ring through and baste both ends.
• Make two pieces

6. Make the gusset.

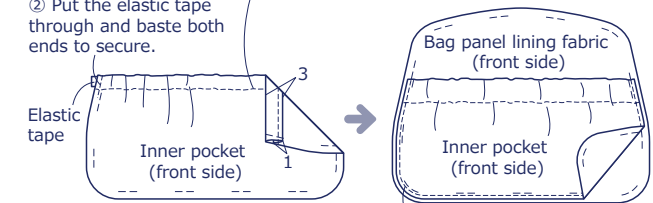
① With the front sides facing each other, sew together the opening outer fabric and lining fabric with a zipper in-between.



2. Make the inner pocket.

① Double fold the pocket opening and run stitches.

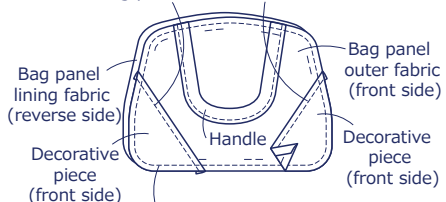
② Put the elastic tape through and baste both ends to secure.



③ Place the inner pocket over the bag panel lining fabric and baste together.

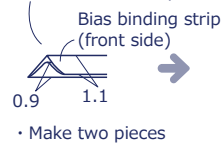
8. Sew together the bag panels and gussets.

① Fold the diagonal end of the decorative fabric piece. Attach it to the bag panel outer fabric.

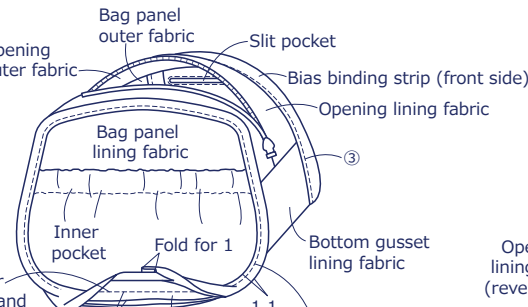


② With the front sides facing outside, layer the bag panel outer fabric, lining fabric and handles, and baste together.
• Make two pieces.

① With the front sides facing outside, fold the bias binding strip in four to make a crease and open.

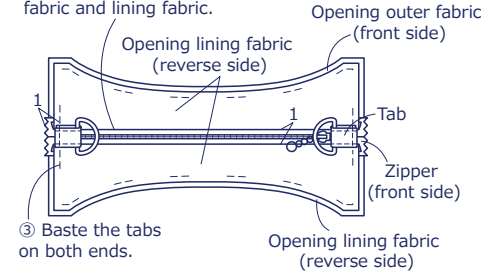


② Put together the outer fabrics of the bag panel and gusset, and layer the bias binding strip and sew together.



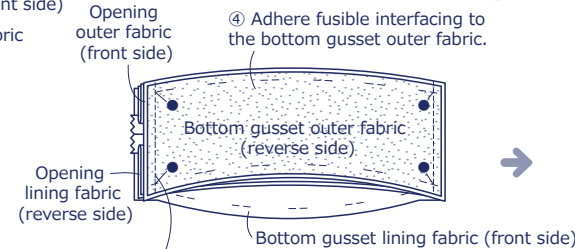
③ Turn over the bias binding strip. Wrap around the fabric edge and sew.
④ Turn it inside out and attach the shoulder strap.

② As in process ①, repeat the process for the other opening fabric and lining fabric.

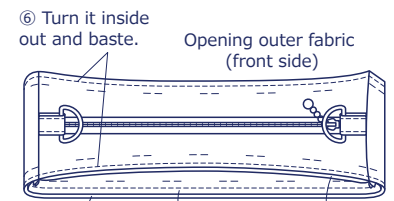


③ Baste the tabs on both ends.

④ Adhere fusible interfacing to the bottom gusset outer fabric.



⑤ With the front sides facing each other, sew together the outer and lining fabrics of the bottom gusset outer fabric, lining fabric and opening fabric at the sides respectively.



⑥ Turn it inside out and baste.