



Fur Pouch

Design & work: Yui Tamaki

Size: 17.2cm (l) 25.4cm (w)

have fun with KOKKA fabric! produced by **KOKKA**

kokka-fabric.com

The craft projects and works featured in kokka-fabric.com are strictly for personal use and enjoyment. Please refrain from selling handmade items using the same exact design (including the pieces made in different fabrics) featured in kokka-fabric.com.

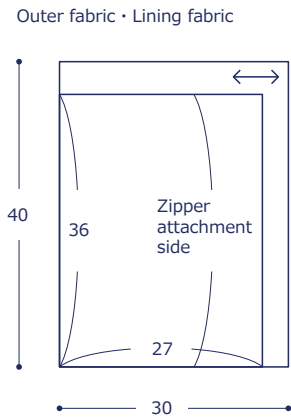
Materials

- Fabric (Outer fabric): 40cm×30cm
(Lining fabric): 40cm×30cm
- Fusible interfacing (thick): 40cm x 30cm
- Zipper: One piece (24cm)
- Rope: 22cm (0.6cm diameter)
- Fur tape: 54cm (2cm wide)

Fabric shown for this sample: echino ni-co JG96203-203

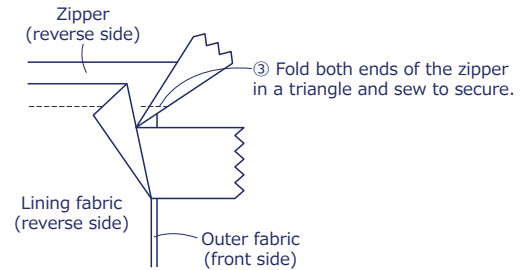
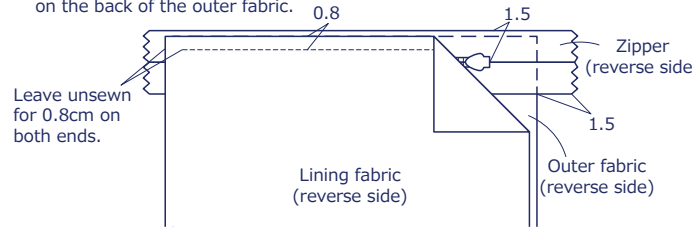
Pattern and Cutting Layout

All measurements are in centimeters (cm). All edges are left cut.



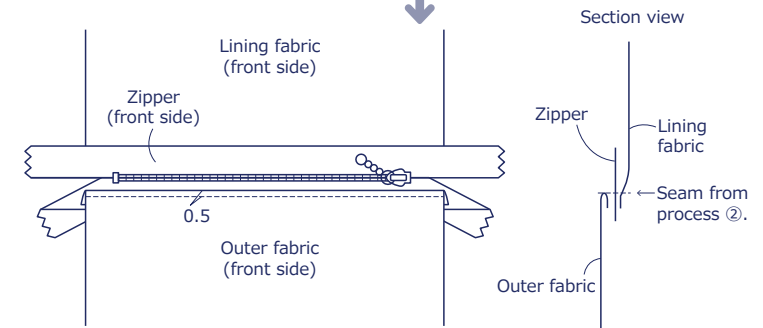
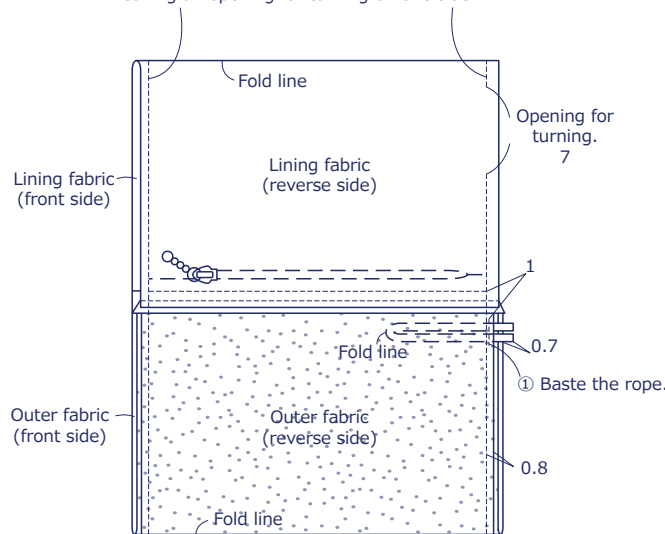
1. Attach the zipper.

- ① Adhere fusible interfacing on the back of the outer fabric.
- ② With the front sides facing each other, sew together the outer and lining fabrics with a zipper in-between.



2. Make the pouch.

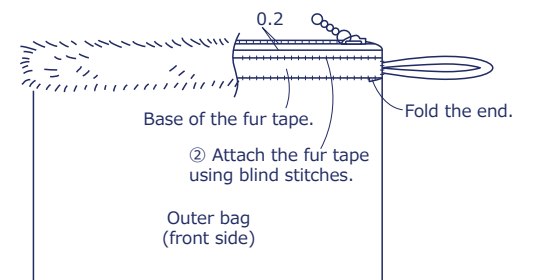
- ② Open the zipper. With the front sides facing each other, sew the sides of the outer and lining fabrics respectively, leaving an opening for turning on one side.



- ④ Press down the seam to the outer fabric side. Avoid lining fabric and run stitches.
- ⑤ Repeat the same process ②~④ on the other opening side and attach the zipper.

3. Finish the pouch.

- ① Turn it inside out and close the opening.



- ③ Cut off the excess zipper ends.