



Vegetable Tote

Design & work: Anriko

Size: 26cm (l) 45cm (w-opening)
31cm (bottom) 14cm (d)

have fun with KOKKA fabric! produced by **KOKKA**

kokka-fabric.com

The craft projects and works featured in kokka-fabric.com are strictly for personal use and enjoyment.
Please refrain from selling handmade items using the same exact design (including the pieces made in different fabrics) featured in kokka-fabric.com.

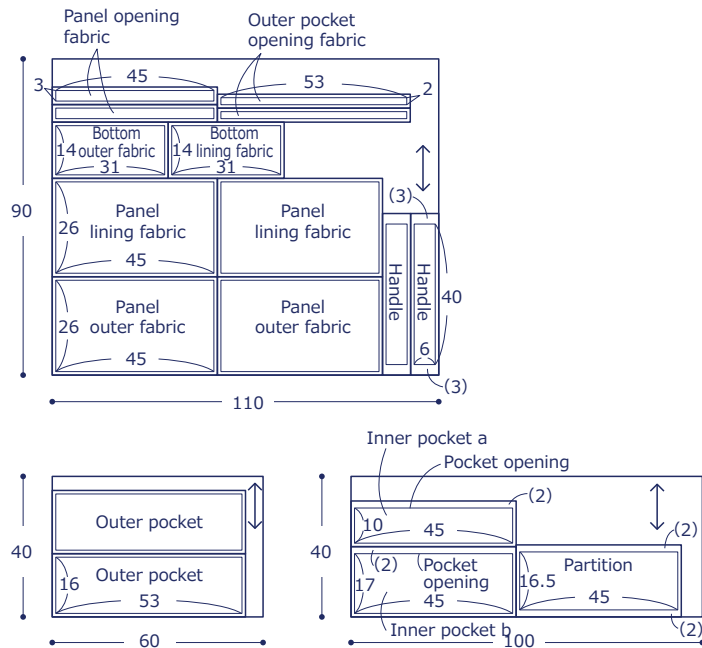
Materials

- Fabric (Panel, Bottom, Opening, Handle): 110cm×90cm
(Outer pocket (Jute)): 60cm×40cm
(Inner pocket, Divider): 100cm×40cm
- Fusible interfacing: 80cm×80cm
- Quilt batting: 10cm×40cm

Fabric shown for this sample: PIKKU SAARI JG50430-1 (c)

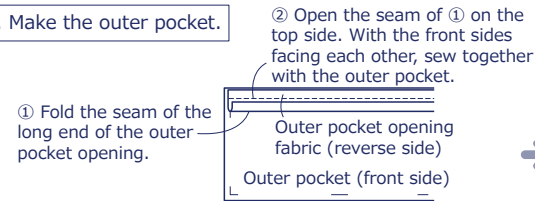
Pattern and Cutting Layout

Unit: cm. () denotes seam. 1cm seam unless otherwise stated.

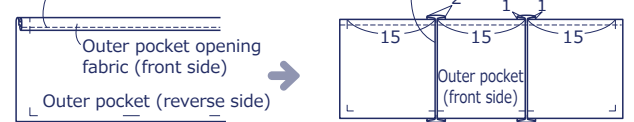


Instructions

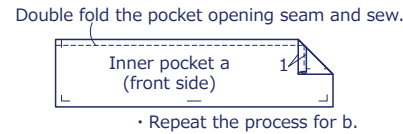
1. Make the outer pocket.



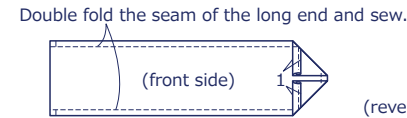
3. Turn it over and sew.



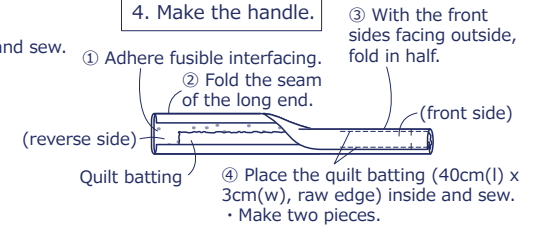
2. Make the inner pocket.



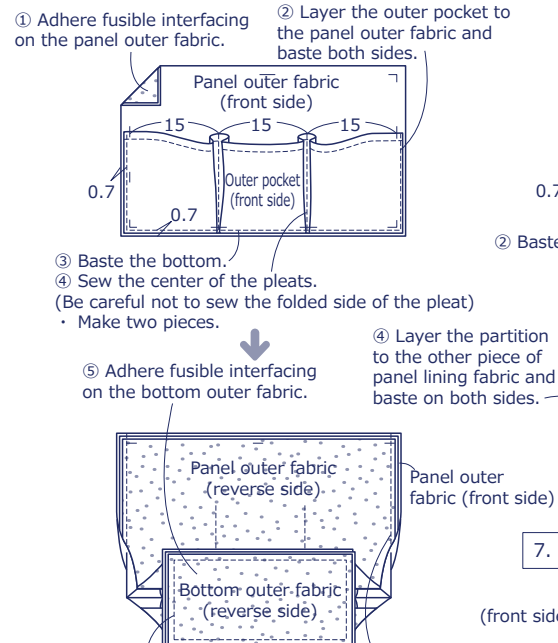
3. Make the partition.



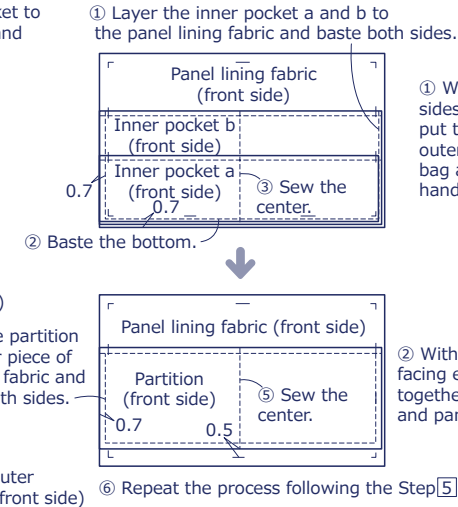
4. Make the handle.



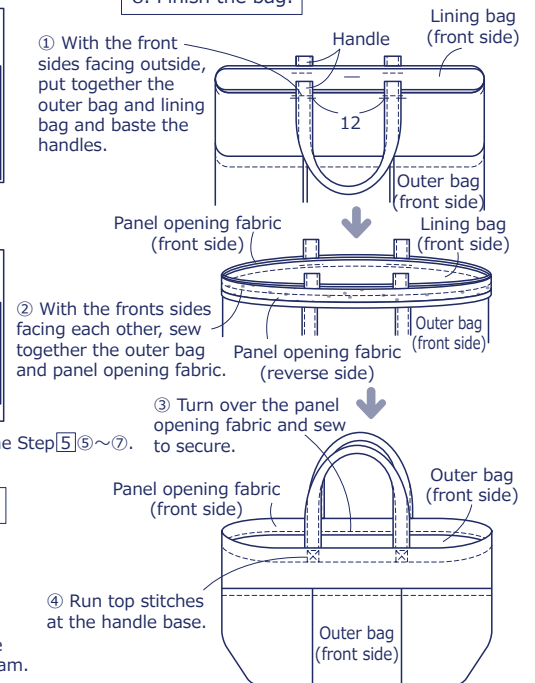
5. Make the outer bag.



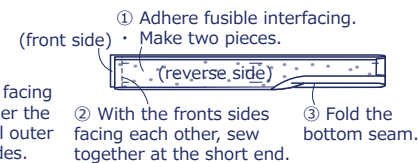
6. Make the lining bag.



8. Finish the bag.



7. Make the panel opening fabric.



7 With the front sides facing each other, sew together the panel outer fabric and bottom outer fabric.
6 With the front sides facing each other, sew together the two pieces of the panel outer fabric and sew both sides.