



# Travel Tote

Design & work: Kanae Nakayama

Size: 21cm (l) 31cm (w - max) 10cm (d)

have fun with KOKKA fabric! produced by **KOKKA**

[kokka-fabric.com](http://kokka-fabric.com)

The craft projects and works featured in kokka-fabric.com are strictly for personal use and enjoyment.  
Please refrain from selling handmade items using the same exact design (including the pieces made in different fabrics) featured in kokka-fabric.com.

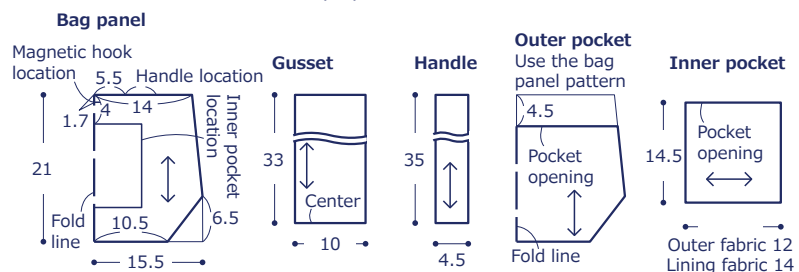
## Materials

- Fabric (Panel outer fabric B, Outer pocket outer fabric, Inner pocket lining fabric, Gusset outer fabric): 90cm×40cm  
(Panel lining fabric, Gusset lining fabric): 90cm×40cm  
(Panel outer fabric A): 40cm×30cm  
(Outer pocket lining fabric): 40cm×20cm  
(Inner pocket outer fabric): 20cm×20cm  
(Handle outer fabric): 20cm×40cm  
(Handle lining fabric): 20cm×40cm
- Fusible quilt batting: 90cm×50cm
- Fusible interfacing: 10cm×5cm
- Magnetic hook (hook type): One pair (1.8cm diameter)

Fabric shown for this sample: P44200-200 (D)

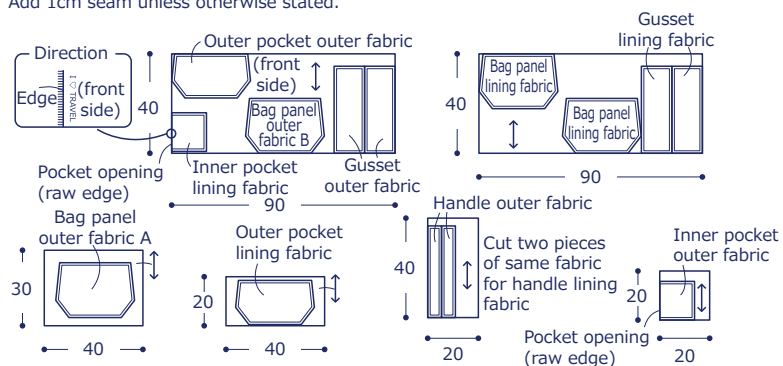
## Pattern

All measurements are in centimeters (cm).



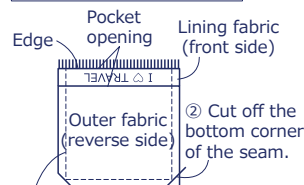
## Cutting Layout

Add 1cm seam unless otherwise stated.



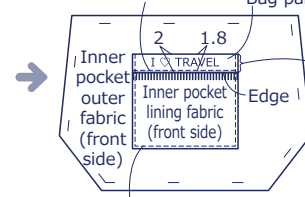
## Instructions

### 1. Make the lining bag.



① With the front sides facing each other, sew together the inner pocket outer fabric and lining fabric.

③ Fold the pocket opening of the inner pocket lining fabric and sew.



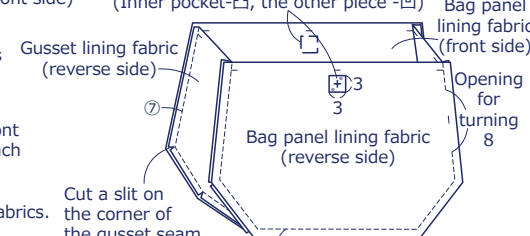
④ Sew the inner pocket onto the bag panel lining fabric.

Run back stitches for 3 to 4 times.

⑤ With the front sides facing each other, sew the center of the gusset lining fabrics.



⑥ Adhere fusible interfacing at the magnetic hook attachment on the bag panel fabric. Attach the magnetic hook. (Inner pocket-凸, the other piece-凹)



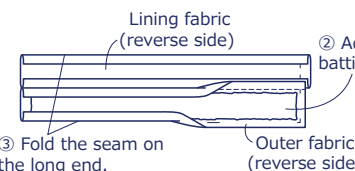
⑦ With the front sides facing each other, sew the bottom and sides of the bag panel lining fabric and gusset lining fabric one side at a time, starting at the bottom. (Leave an opening for turning on one side.)



④ With the front sides facing outside, sew together the outer and lining fabrics. • Make two pieces.

### 2. Make the handles.

① With the front sides facing each other, sew together the handle outer fabric and lining fabric at the long end.



③ Fold the seam on the long end.

② Turn ① inside out. Run stitches at the pocket opening.

③ Adhere fusible quilt batting on bag outer fabrics A and B.

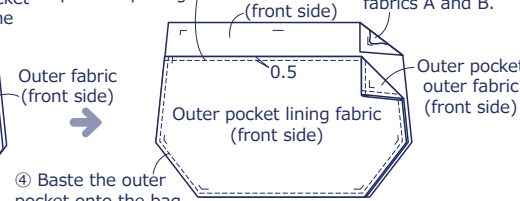
### 3. Make the outer bag.

① With the front sides facing each other, sew together the outer pocket outer fabric and lining fabric at the pocket opening.

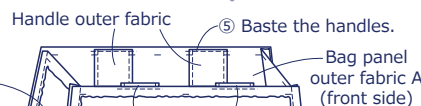


② Turn ① inside out. Run stitches at the pocket opening.

③ Adhere fusible quilt batting on bag outer fabrics A and B.



④ Baste the outer pocket onto the bag panel outer fabric A.

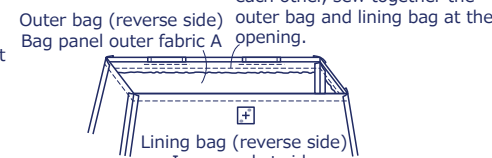


⑥ Adhere fusible quilt batting on two pieces of the gusset. Repeat the process as in ①⑤・⑦. (No opening for turning.)

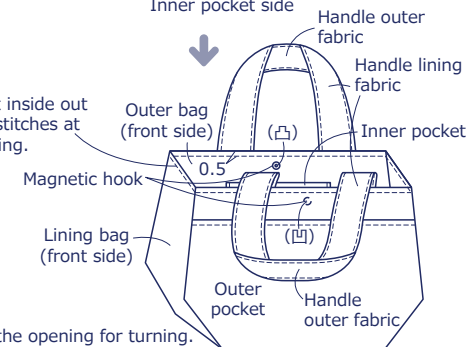
Gusset outer fabric (reverse side)

### 4. Finish the bag.

① With the front sides facing each other, sew together the outer bag and lining bag at the opening.



② Turn it inside out and run stitches at the opening.



③ Close the opening for turning.