



Clutch Bag

Design & work: Kokka Fabric

Size: about 19cm (l) × 43cm(w – widest point) × 12cm(d)

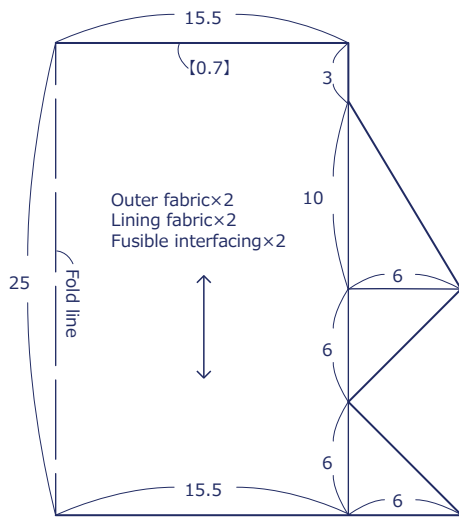
Materials

- Outer fabric 110cm wide × 30cm
- Lining fabric 110cm wide × 30cm
- Fusible interfacing (thick) 110cm wide × 30cm
- Zipper One piece (30cm)

Fabric shown for this sample: P43000-300 (A)

Pattern and Cutting Layout

Unit: cm. []: Seam. Add 1cm seam allowances when cutting the fabric unless otherwise specified.



※ Adhere fusible interfacing on the back of the outer fabric.

have fun with KOKKA fabric! produced by **KOKKA**

kokka-fabric.com

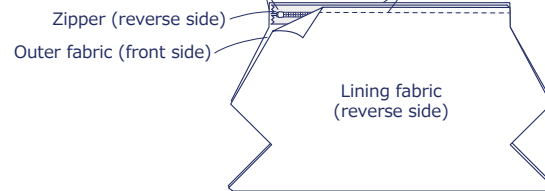
The craft projects and works featured in kokka-fabric.com are strictly for personal use and enjoyment. Please refrain from selling handmade items using the same exact design (including the pieces made in different fabrics) featured in kokka-fabric.com.

Instructions

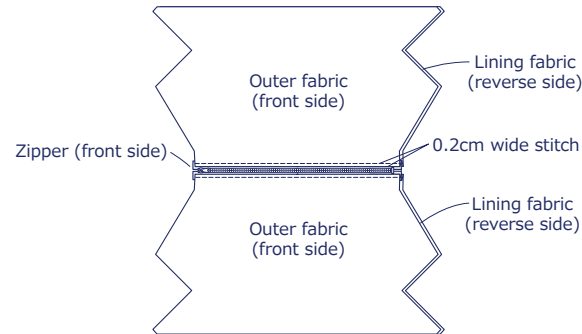
1. Attach the zipper.

① With the front sides facing each other, sew together the outer and lining fabrics with the zipper in between.

Leave for 1.5cm. Sew at 0.7cm from the edge.



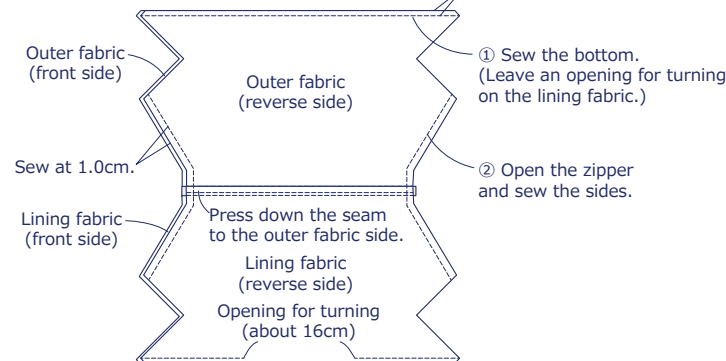
② Repeat the process for the other side of the outer and lining fabrics. Run stitches at the zipper opening.



2. Sew together the outer fabric and lining fabric.

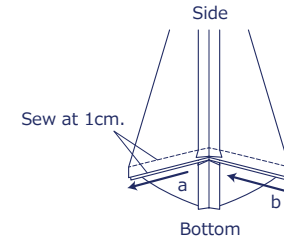
With the front sides facing each other, sew the bottom and sides.

Sew at 1.0cm.



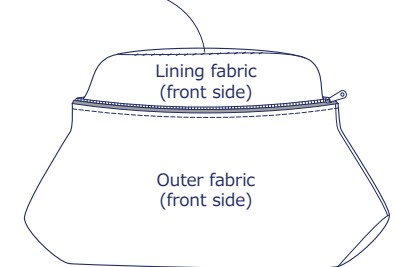
3. Sew together the gussets.

Sew the gussets of outer fabric and lining fabric respectively, first with a and then b.



4. Turn it inside out and close the opening.

Turn it inside out and close the opening using blind stitches.



Align the shape to finish!

