



Tied Shoulder Bag

Design & work: Mioko Sugino

Size: 28cm (l) 35cm (w)

have fun with KOKKA fabric! produced by **KOKKA**

kokka-fabric.com

The craft projects and works featured in kokka-fabric.com are strictly for personal use and enjoyment.
Please refrain from selling handmade items using the same exact design (including the pieces made in different fabrics) featured in kokka-fabric.com.

Materials

- Fabric (Main Bag): 80cm×90cm
(Handle backing fabric): 20cm×30cm
- Fusible interfacing: 20cm×20cm

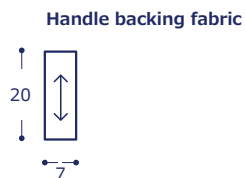
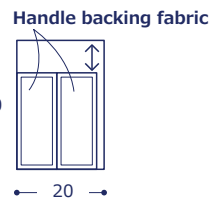
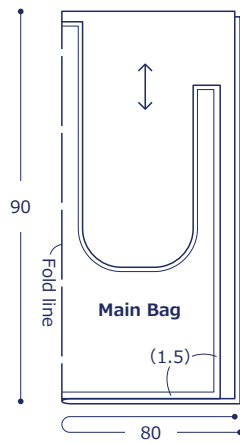
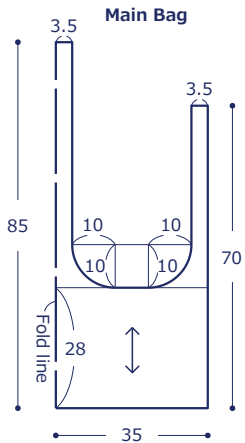
Fabric shown for this sample (main bag): P43600-601 (c)

Pattern

All measurements are in centimeters (cm).

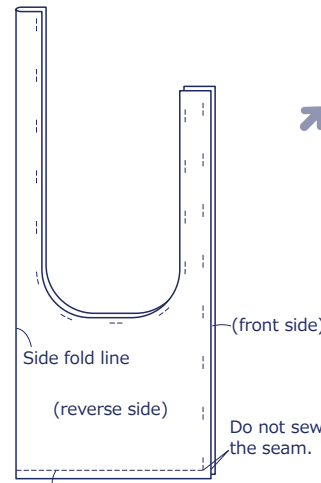
Cutting Layout

() denotes seam. Add 1cm seam allowances unless otherwise specified. Adhere fusible interfacing on the back of the handle backing fabric excluding the seam.

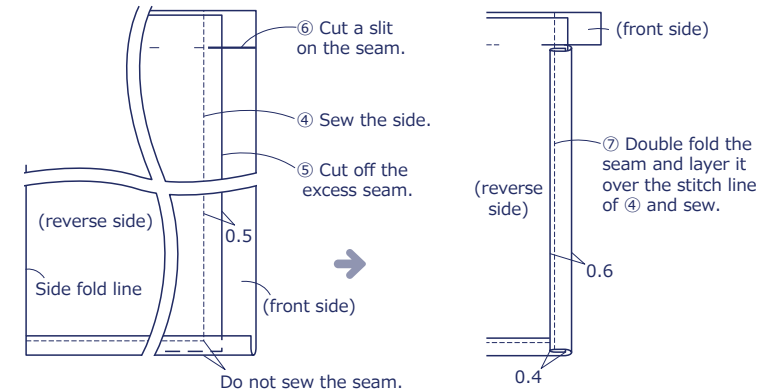
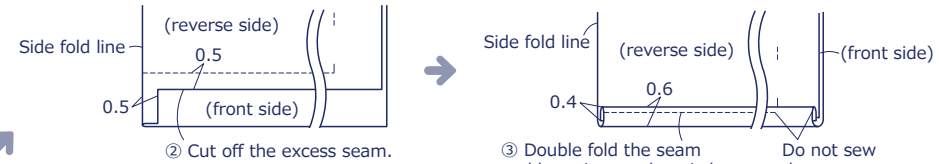


Instructions

1. Make the main bag.

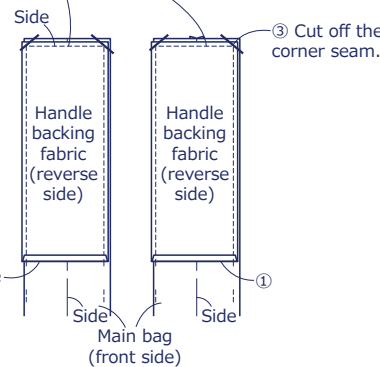


① With the front sides facing each other, fold in two and sew the bottom.



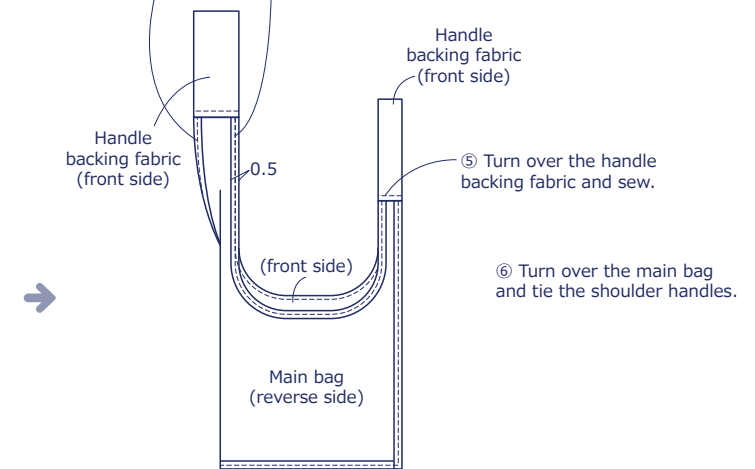
2. Finish the bag.

② With the front sides facing each other, sew together the handle backing fabric and top of the handle on the main bag fabric on three sides.



① Fold the seam of one end of the handle backing fabric.

④ Double fold the seam of the main bag and sew.



⑥ Turn over the main bag and tie the shoulder handles.