



Puppy Pouch

Design & work: Kanae Nakayama

Size: 19.9cm (l) 22cm (w)

have fun with KOKKA fabric! produced by **KOKKA**

kokka-fabric.com

The craft projects and works featured in kokka-fabric.com are strictly for personal use and enjoyment.
Please refrain from selling handmade items using the same exact design (including the pieces made in different fabrics) featured in kokka-fabric.com.

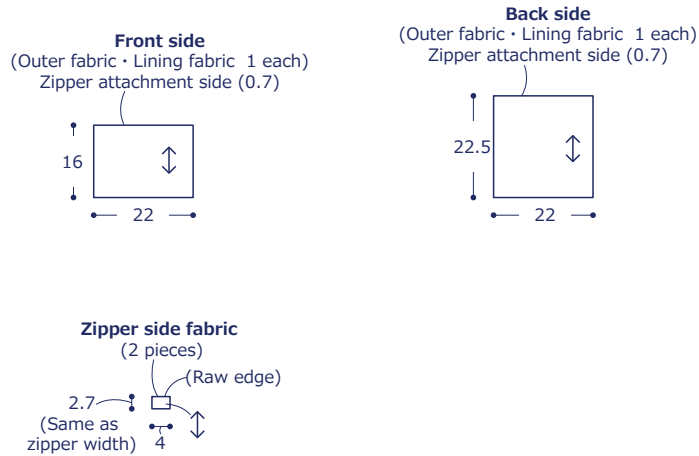
Materials

- Fabric (Front outer fabric): 30cm×20cm
(Back outer fabric): 30cm×30cm
(Lining fabric): 50cm×30cm
(Zipper side fabric): 10cm x 5cm
- Zipper: One piece (20cm long)

Fabric shown for this sample:
(Pink) H11400-403 (A)
(Green) H11400-403 (B)

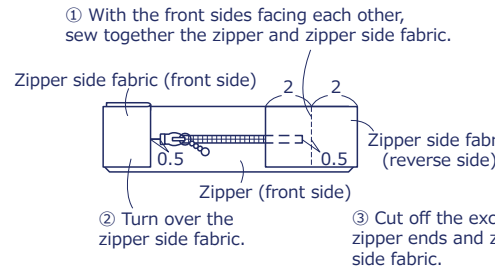
Pattern

All measurements are in centimeters (cm).
() denotes seam. Add 1cm seam unless otherwise stated.

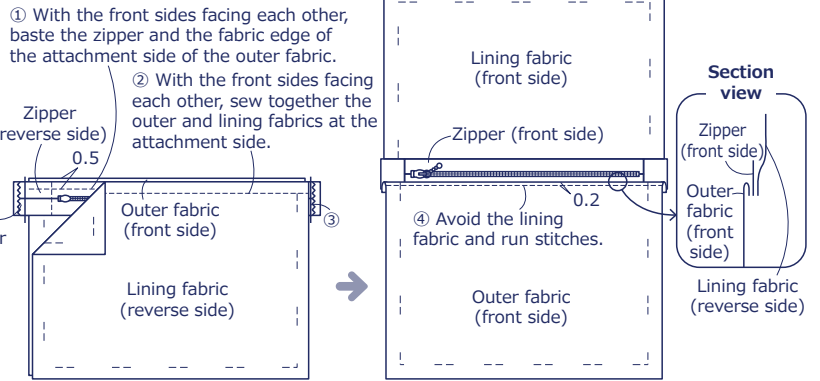


Instructions

1. Attach the zipper side fabric to the zipper.



2. Attach the zipper to the front side.



3. Attach the zipper to the back side.

Sew the other edge of the zipper as in Step 2.

4. Finish the pouch.

