



Mini Boston Bag

Design & work: Kokka Fabric

Size: 21cm (w) 14.5cm (l) 5.5cm (d)

have fun with KOKKA fabric! produced by **KOKKA**

kokka-fabric.com

The craft projects and works featured in kokka-fabric.com are strictly for personal use and enjoyment. Please refrain from selling handmade items using the same exact design (including the pieces made in different fabrics) featured in kokka-fabric.com.

Materials

- Fabric: (Outer fabric) Cotton Linen Canvas 110cm wide×30cm (Lining fabric) Cotton Linen Canvas 110cm wide×30cm
- Fusible interfacing: 100cm×35cm
- 30cm Zipper: One piece

Fabric shown for this sample: P44000-401 (C)

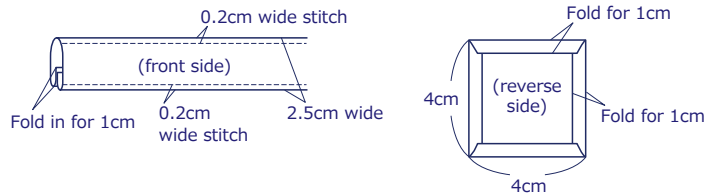
Instructions

Preparation

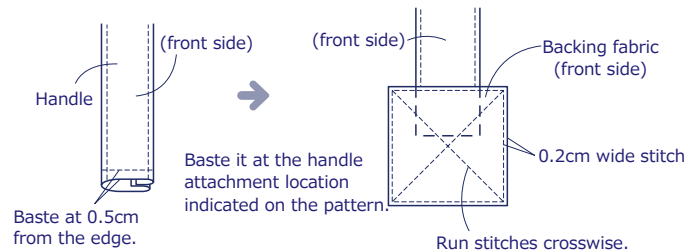
Adhere fusible interfacing on the back of the bag panel outer fabric, zipper gusset, gusset and handle.

1. Make the handle.

① Make the handle and fold the four sides of the backing fabric.

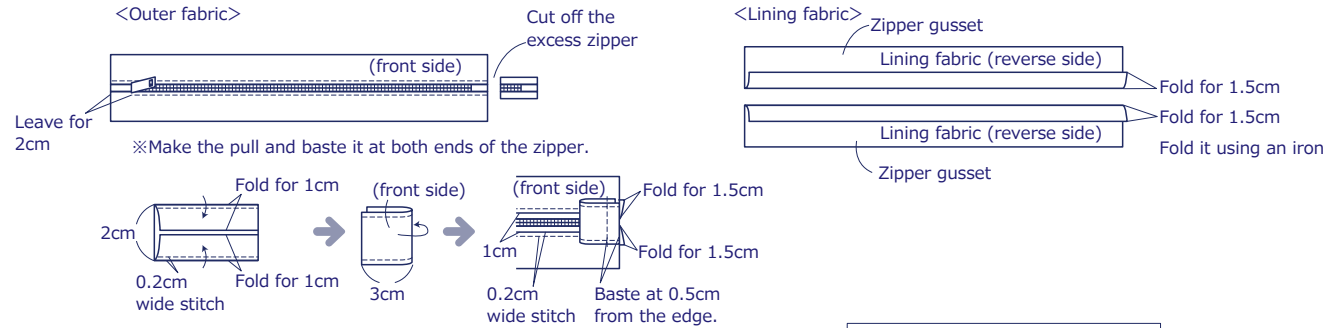


② Baste the handle on the bag panel outer fabric. Apply the backing fabric and sew along four sides.



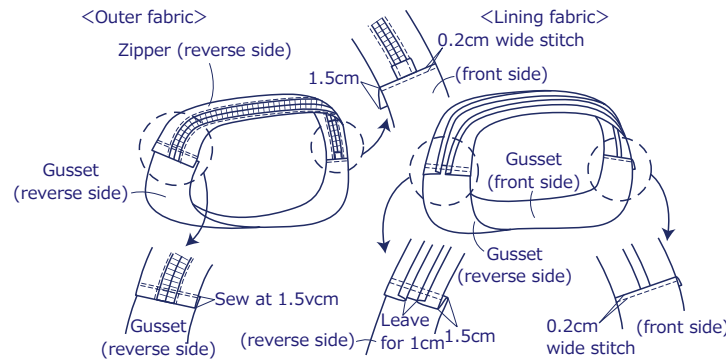
2. Attach the zipper.

Attach the zipper on the zipper gusset of the outer fabric. Fold the zipper gusset of the lining fabric.



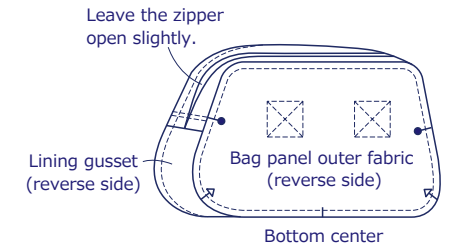
3. Sew together the zipper gusset and gusset.

Sew together the zipper gusset and gusset of the outer and lining fabrics respectively.



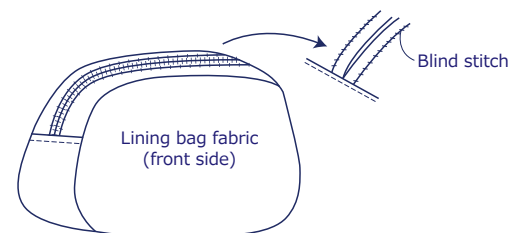
4. Sew together the gusset and bag panel outer fabric.

Sew together the bag panel outer fabric and lining fabric and gusset respectively.

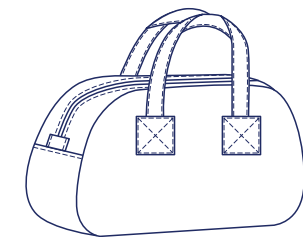


5. Put together the outer bag fabric and lining bag fabric.

Layer the lining bag fabric over the outer bag fabric and close along the zipper on the lining bag using blind stitches.



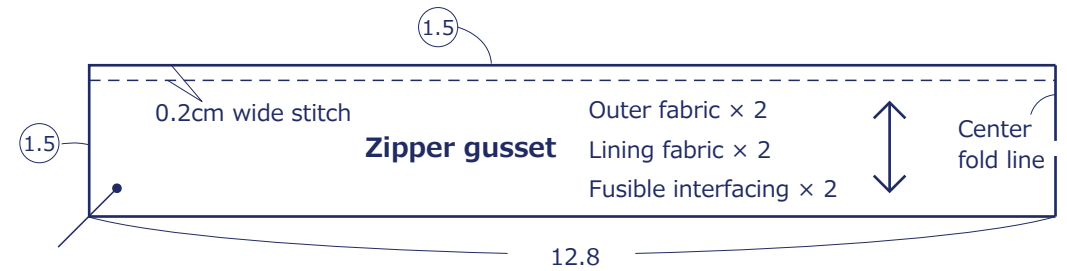
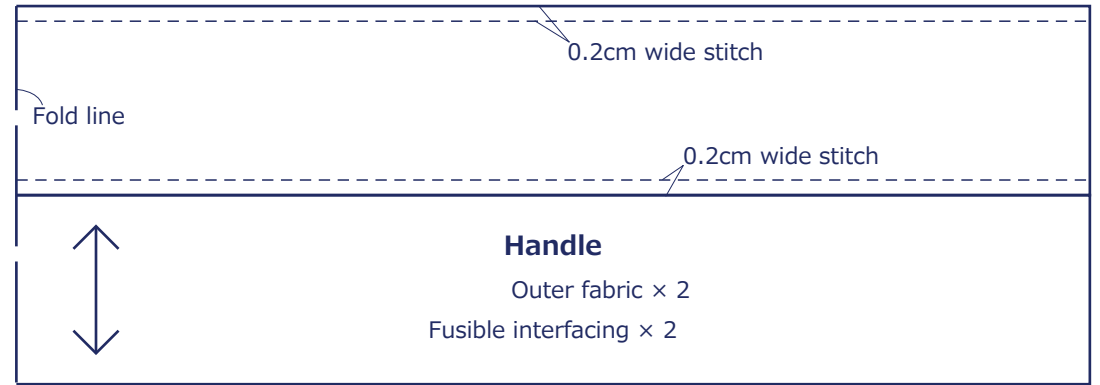
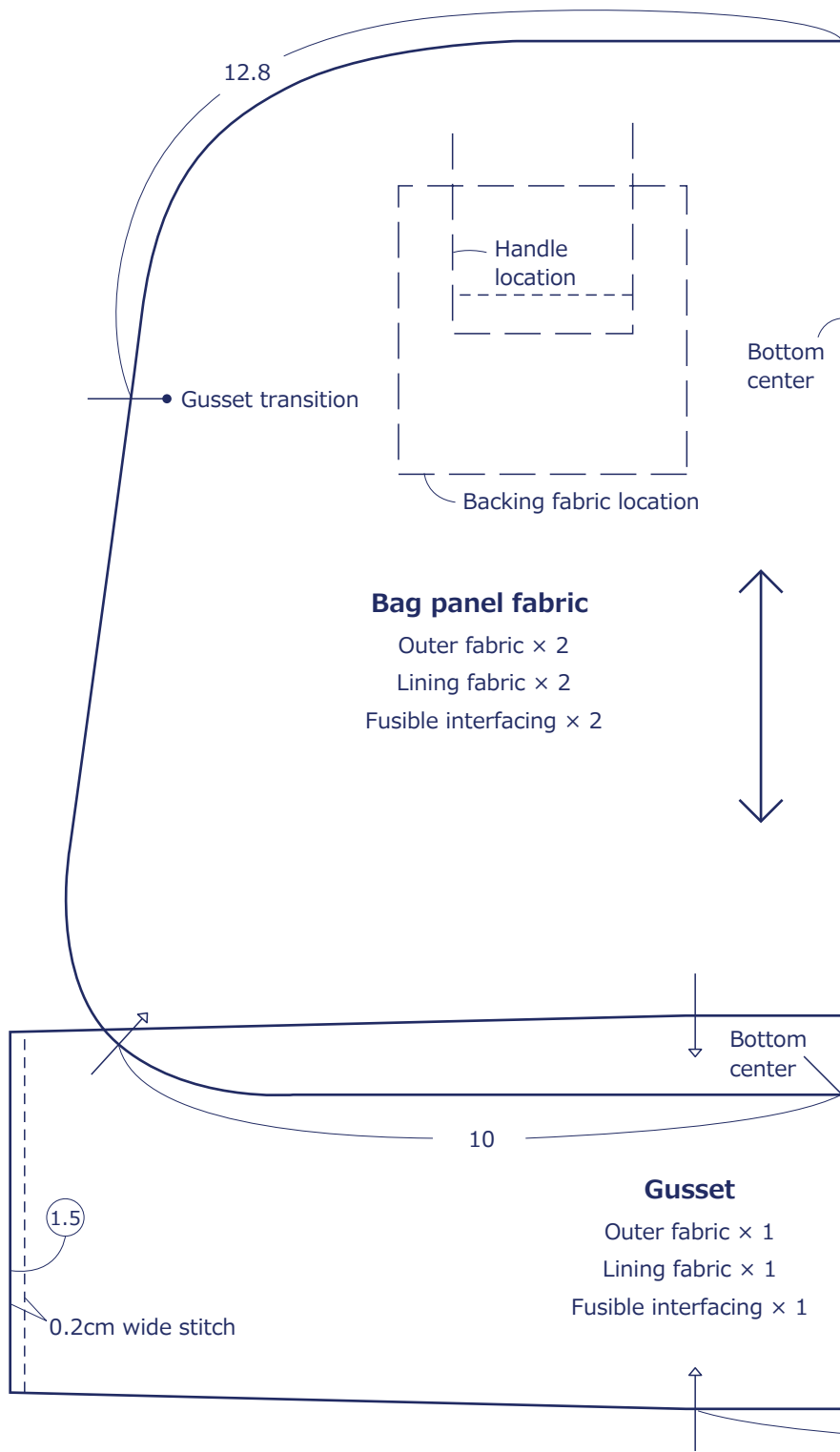
Turn the bag inside out and it's complete.



mini Boston bag

Numbers in ○ denote seam. 1cm seam unless otherwise stated.

Add the seam when cutting the fabric. Unit: cm



Zipper pull

