



Shoulder Gather Dress

Design & work: Kokka Fabric

Size: M

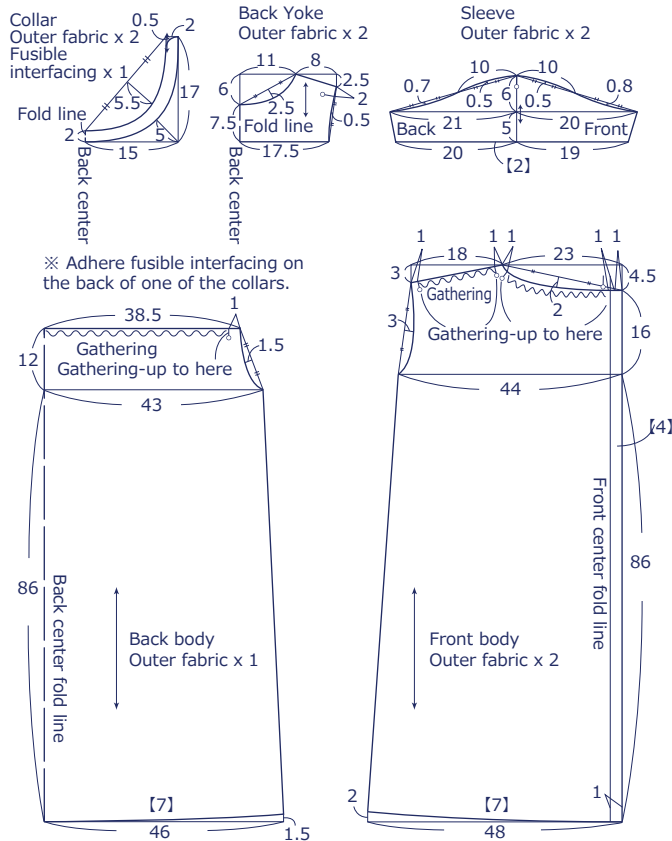
Materials

- Outer fabric: 108cm widex350cm
- Fusible interfacing: 90cm widex30cm
- Button: Ten pieces (1.1cm wide)

Fabric shown for this sample: P43200-200 (B)

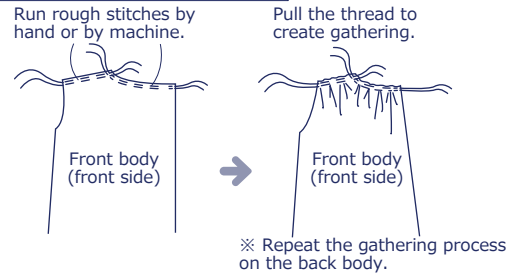
Pattern

Unit: Centimeters (cm) []: Seam allowance
Add 1cm seam allowance when you cut the fabric unless otherwise stated.

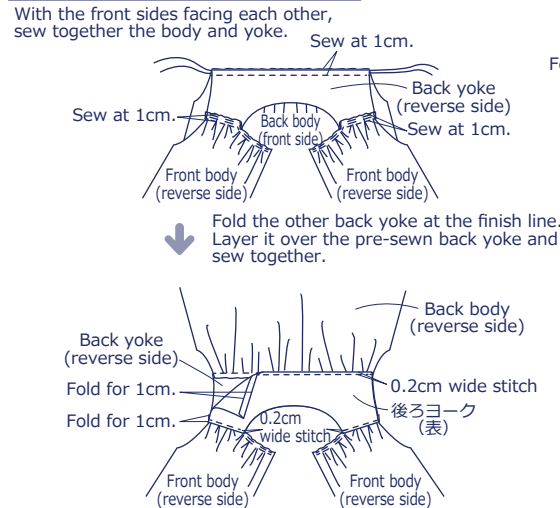


Instructions

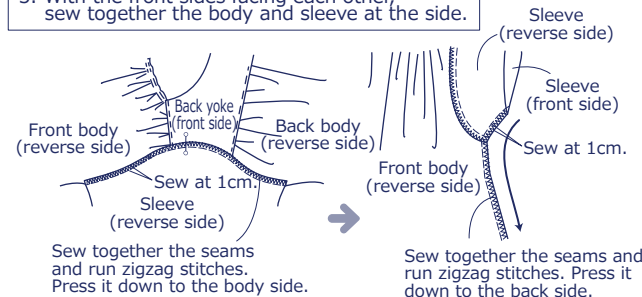
1. Make gathering on the body.



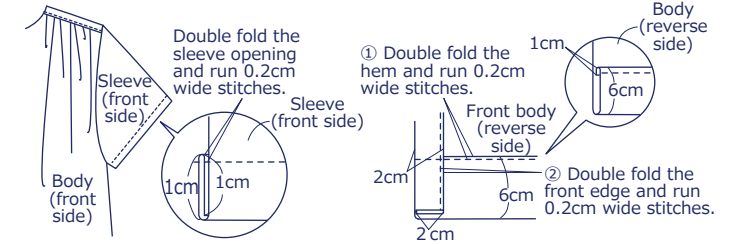
2. Sew together the body and yoke.



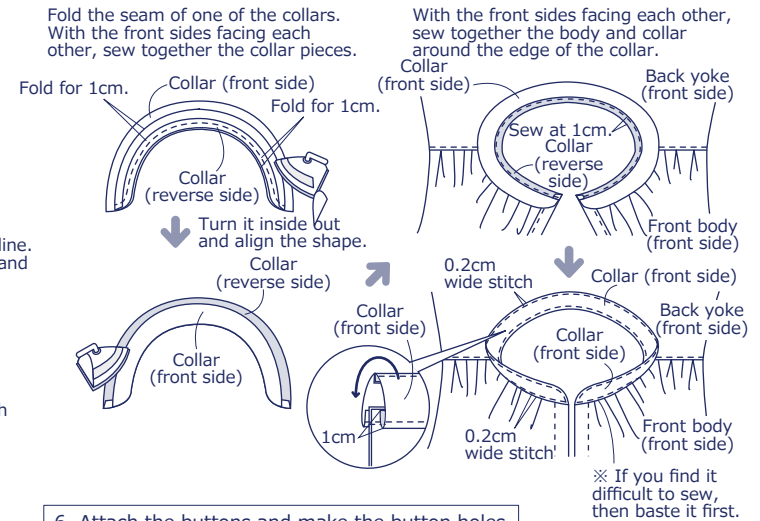
3. With the front sides facing each other, sew together the body and sleeve at the side.



4. Double fold the sleeve opening, hem and front edge and run stitches.



5. Make the collar and sew together with the body.



6. Attach the buttons and make the button holes.

