



Place Mat and Bag for a Drink Cup

Design & Work: Masumi Saito (sinafuku)

Size: Place Mat 29cm (l) 38cm (w)
 Bag for a Drink Cup
 15cm (l) 13cm (w) 5cm (d)

©BANDAI/LLP 発売元 (株)バンダイ

have fun with KOKKA fabric! produced by **KOKKA**

kokka-fabric.com

The craft projects and works featured in kokka-fabric.com are strictly for personal use and enjoyment.
 Please refrain from selling handmade items using the same exact design (including the pieces made in different fabrics) featured in kokka-fabric.com.

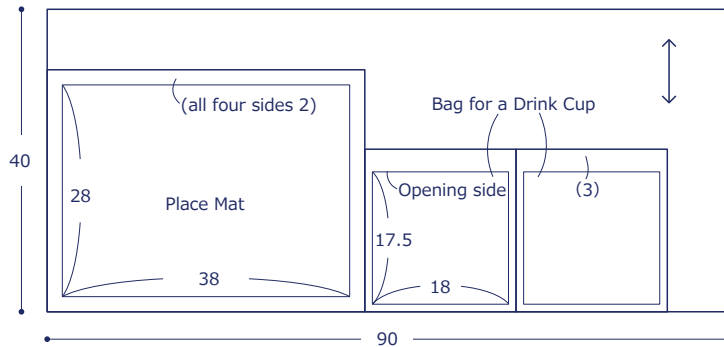
Materials

- Fabric: 90cm×40cm
- Pom-pom embellishment: 70cm (1cm width)
- Cord: 1.6m (0.5cm diameter)

Fabric shown for this sample: Ganbare! Lulu Lolo G5021-1 (A)

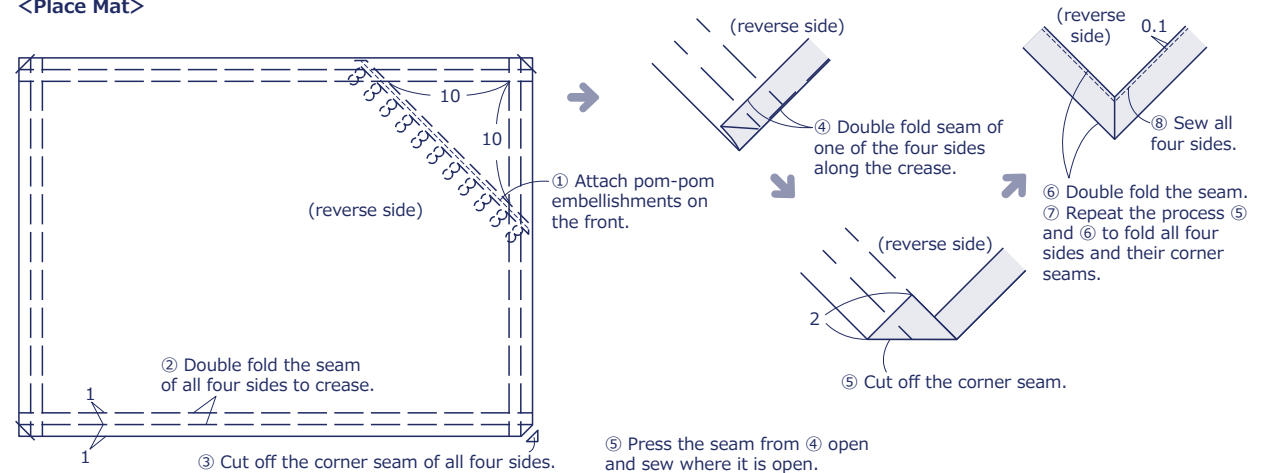
Pattern and Cutting Layout

Unit: cm (): Seam allowance. Add 1cm seam allowance unless specified otherwise.



Instructions

<Place Mat>



<Bag for a Drink Cup>

