



Long Gillet (Vest)

Design & work: Anriko

Size: Length - about 100cm

have fun with KOKKA fabric! produced by **KOKKA**

kokka-fabric.com

The craft projects and works featured in kokka-fabric.com are strictly for personal use and enjoyment. Please refrain from selling handmade items using the same exact design (including the pieces made in different fabrics) featured in kokka-fabric.com.

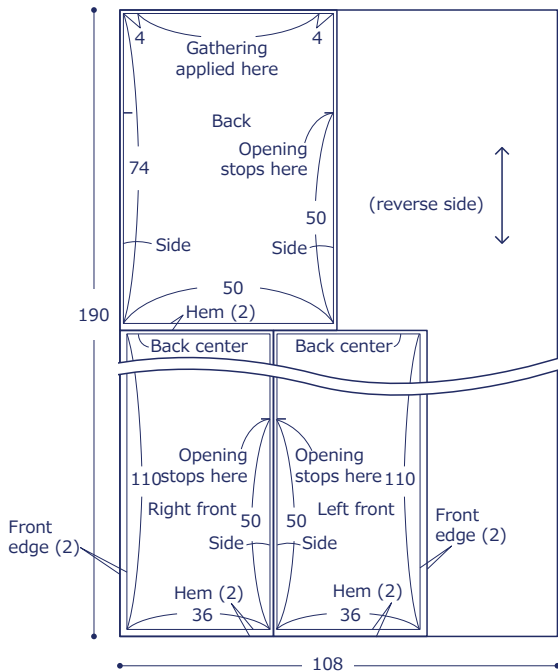
Materials

□ Fabric: 108cm wide x 1.9m

Fabric shown for this sample: 3min. JGA20050-1A

Pattern and Cutting Layout

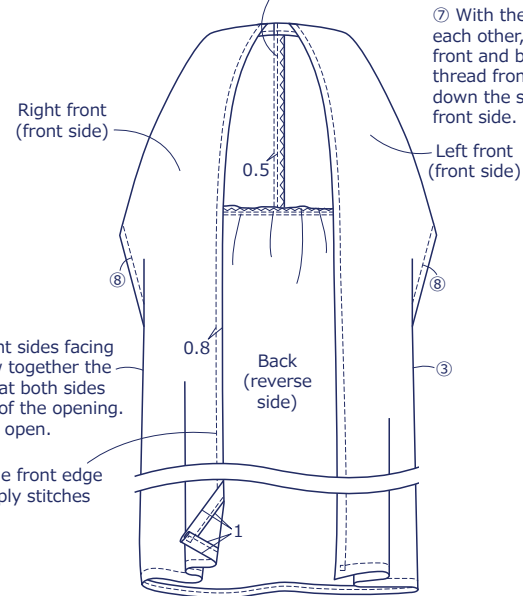
All measurements are in centimeters (cm). Numbers in () denote seam allowance. All seam allowances 1cm unless otherwise stated.



Instructions

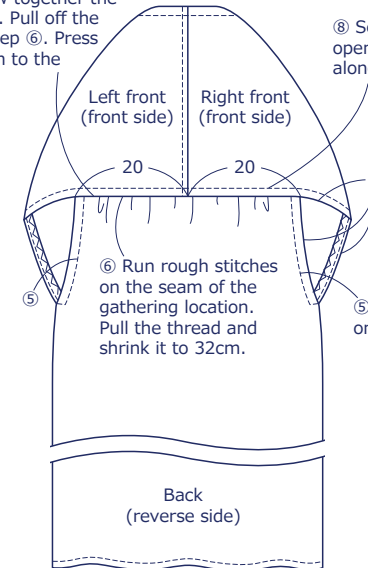
① With the front sides facing each other, sew together the right and left fronts at the back center. Apply zigzag stitches on the seams together. Press down the seam to the left side and apply stitches.

② Apply zigzag stitches on the 1cm seam of each parts (except for the right and left fronts' back center seam).



⑦ With the front sides facing each other, sew together the front and back. Pull off the thread from Step ⑥. Press down the seam to the front side.

⑧ Sew along the front sleeve opening and continuously along stitch line of Step ⑦.



④ Continuing from the Step ③, fold the seam.

⑥ Run rough stitches on the seam of the gathering location. Pull the thread and shrink it to 32cm.

⑤ Sew the sleeve opening on the back.

③ With the front sides facing each other, sew together the front and back at both sides up to the start of the opening. Press the seam open.

⑨ Double fold the front edge and hem and apply stitches continuously.

