



Smock for Grown-ups

Design & Work: Kokka Fabric

Size: M

have fun with KOKKA fabric! produced by **KOKKA**

kokka-fabric.com

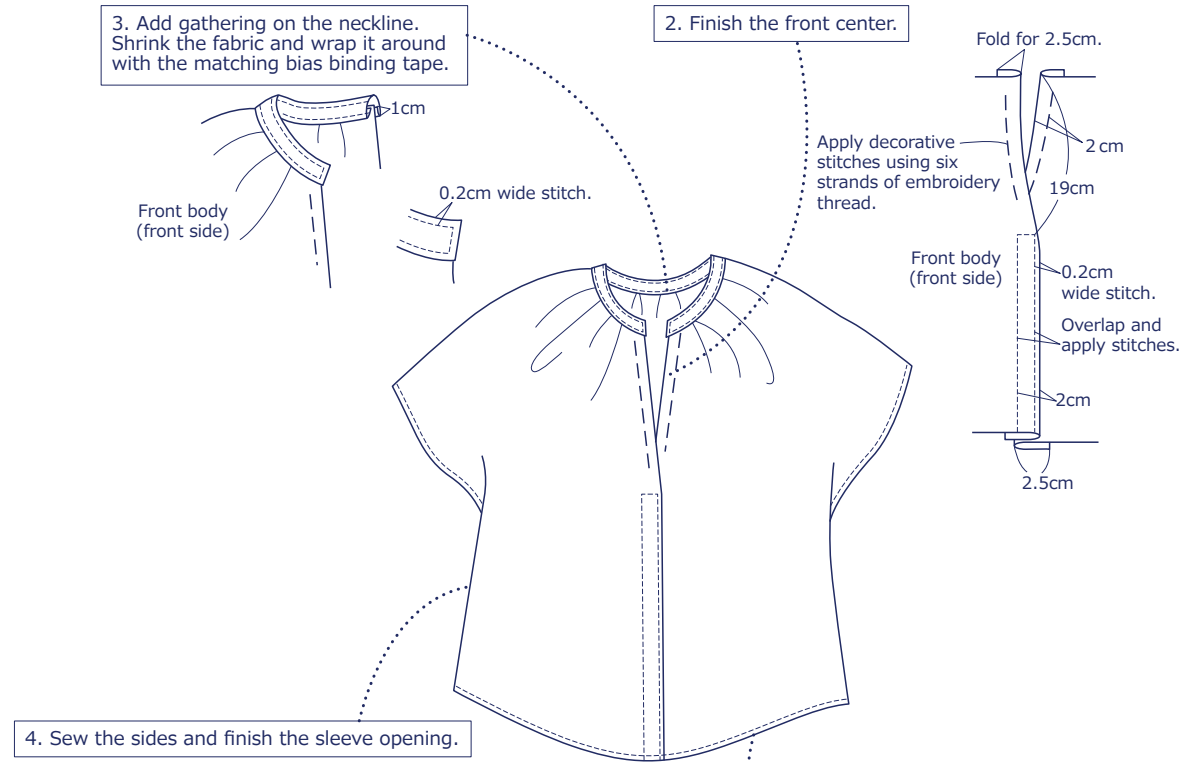
The craft projects and works featured in kokka-fabric.com are strictly for personal use and enjoyment. Please refrain from selling handmade items using the same exact design (including the pieces made in different fabrics) featured in kokka-fabric.com.

Instructions

1. Serge the sides of the front and back body, shoulder and front center.

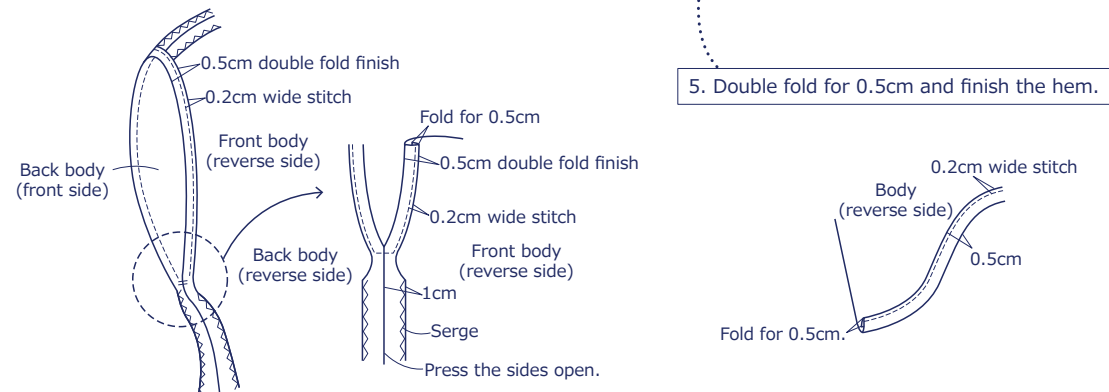
3. Add gathering on the neckline. Shrink the fabric and wrap it around with the matching bias binding tape.

2. Finish the front center.



4. Sew the sides and finish the sleeve opening.

5. Double fold for 0.5cm and finish the hem.



Materials and Tools

- Double Gauze: 108cm wide x 155cm
- Embroidery thread: as needed

Fabric shown for this sample: H11600-600B Double Gauze

Pattern

* ○ denotes seam allowance.
Please add seam allowance when you cut the fabric..

