



Two Way Bucket Bag

Design & work: Yui Tamaki

Size: 27cm (h) (bottom diameter) 18cm

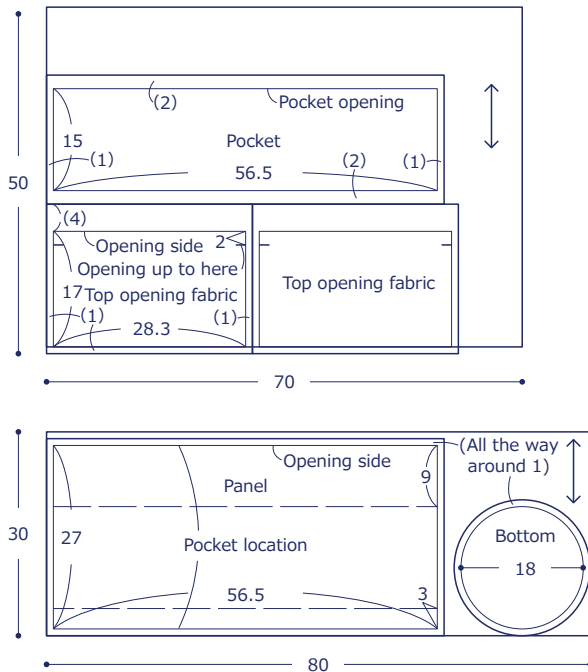
Materials

- Fabric (Pocket, Opening fabric): 70cm×50cm
(Panel, Bottom (#6 Canvas)): 80cm×30cm
- PP Band (Polypropylene band): 45cm (2.5cm wide)
- One sided stitched leather cord: 14cm (0.8cm diameter)
- Hemp cord: 1.2m
- One touch Plasnap button (plastic snap button): two pairs (1.4cm diameter)

Fabric shown for this sample: P46100-100A Sheeting

Pattern and Cutting Layout

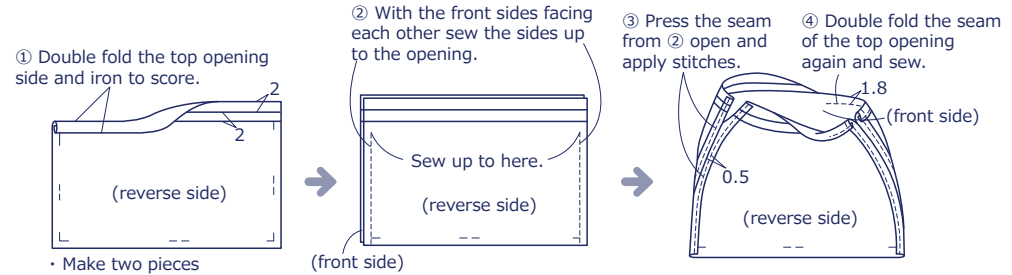
The unit is cm. Numbers in () denote seam allowance.



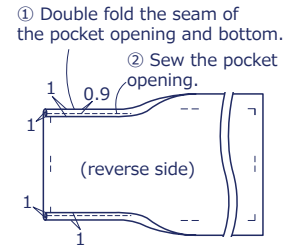
The craft projects and works featured in kokka-fabric.com are strictly for personal use and enjoyment.
Please refrain from selling handmade items using the same exact design (including the pieces made in different fabrics) featured in kokka-fabric.com.

Instructions

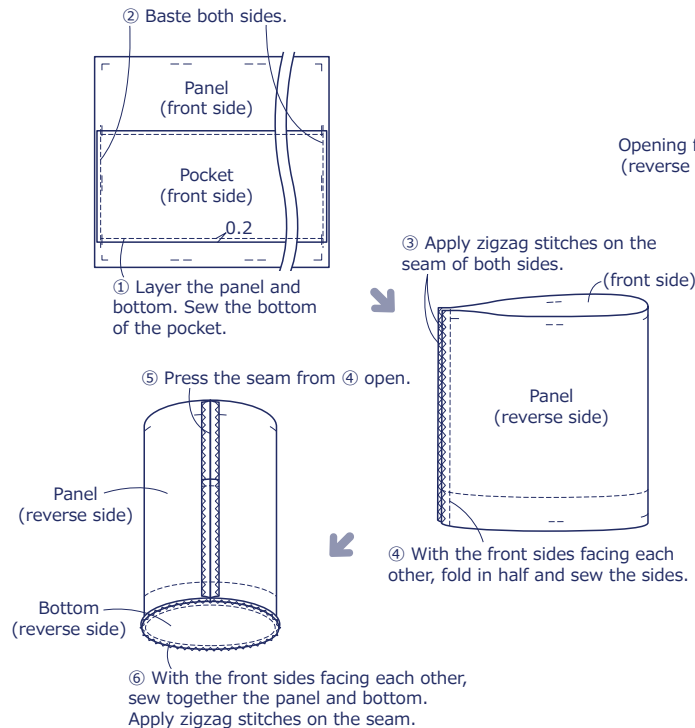
1. Make the top opening fabric.



2. Make the pocket.



3. Make the bag.



4. Finish the bag.

