



Denim Big Tote

Design & work: Kokka Fabric

Size:
 about 40cm (l) x about 44cm (w)
 about 8cm (d) ※Excludes handles.

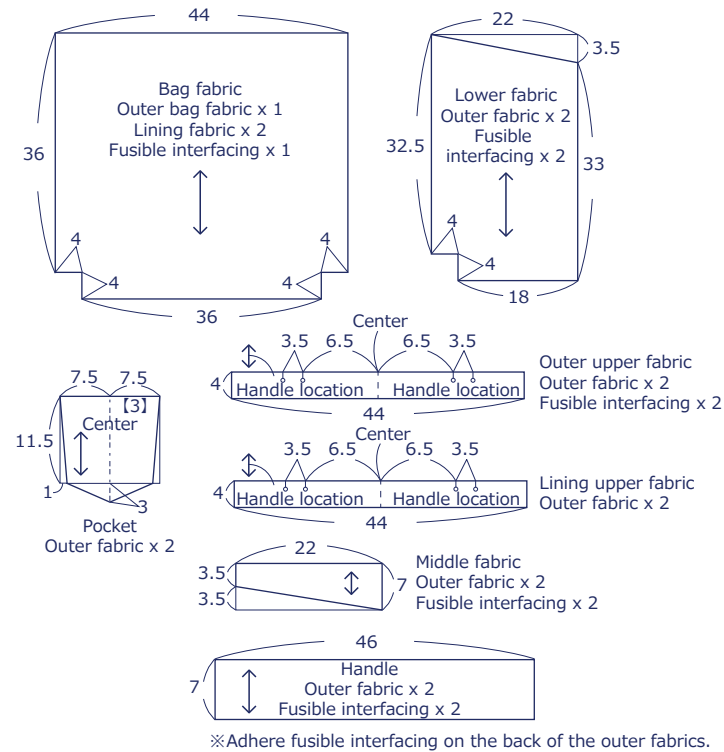
Materials & Tools

- Outer fabric 110cm wide×90cm
- Lining fabric 110cm wide×50cm
- Fusible Interfacing (Medium weight) 110cm wide×80cm

Fabric shown for this sample: INDIGO+ P48100-100A

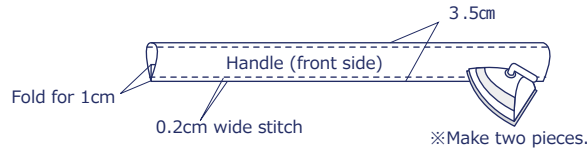
Pattern

Unit: Centimeters (cm) [] : Seam allowance
 Add 1cm seam allowance when you cut the fabric unless otherwise stated.

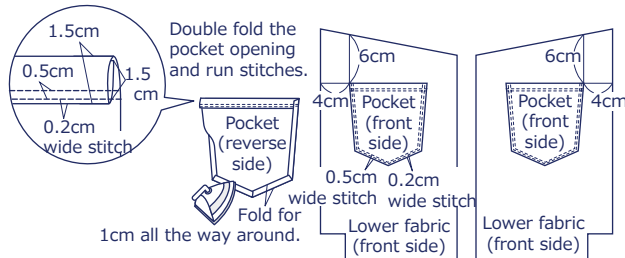


Instructions

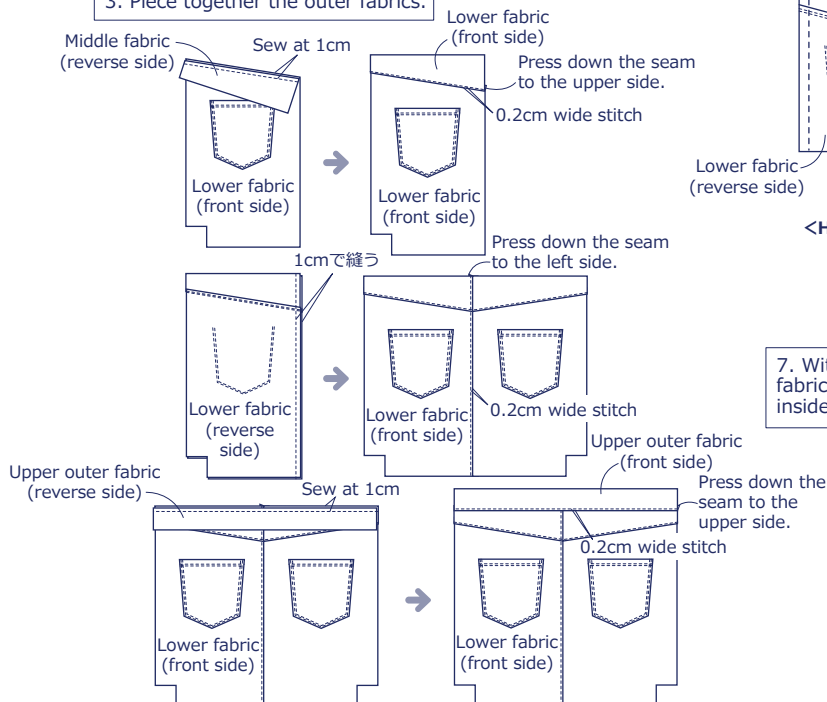
1. Fold the handle along the finish line and run stitches on both long ends.



2. Make the pocket and attach it to the lower fabric.



3. Piece together the outer fabrics.



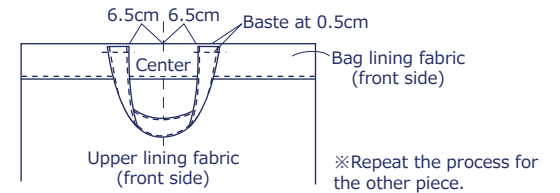
have fun with KOKKA fabric! produced by **KOKKA**
 kokka-fabric.com

The craft projects and works featured in kokka-fabric.com are strictly for personal use and enjoyment. Please refrain from selling handmade items using the same exact design (including the pieces made in different fabrics) featured in kokka-fabric.com.

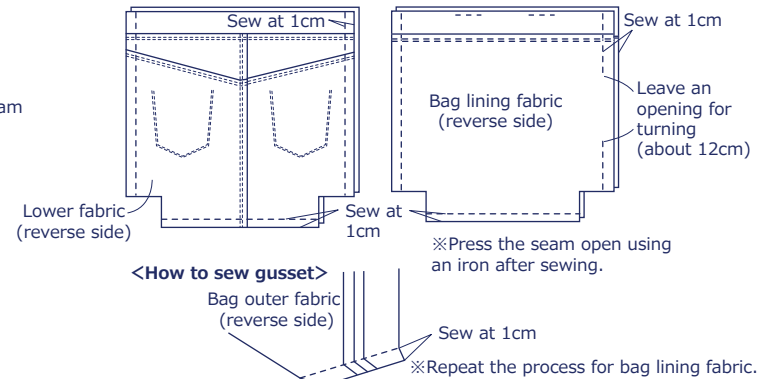
4. Piece together the bag fabric and upper fabric.



5. Baste the handle to bag lining fabric.



6. With the front sides facing each other, sew together the outer and lining bag fabrics at the sides, bottom and gusset.



7. With the front sides facing each other, sew together the bag outer fabric and lining fabric at the top opening. Turn it inside out and run stitches around the opening.

