



Fluffy Tote in Animal Print Fabric

Design & work: Satomi Takei (Tournesol*)

Size: 33cm (l) 40cm (w - top side)
29cm (w - bottom side) 11cm (d)

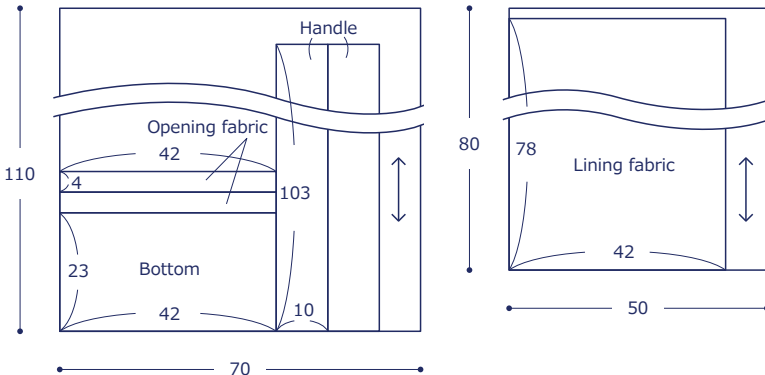
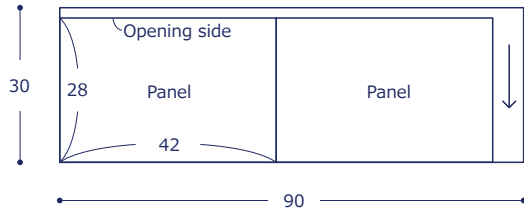
Materials

- Fabric (Panel): 90cm×30cm
(Bottom, Opening, Handle (#11 Canvas)): 70cm×110cm
(Lining fabric (#8 Canvas)): 50cm×80cm
- Fusible interfacing (Light weight): 90cm x 30cm
- Rivet: Four pairs (0.9cm diameter)

Fabric shown for this sample: (Panel) knit P48400-400A

Pattern

Unit: Centimeters (cm) All raw edge.
Adhere fusible interfacing on the back of the panel.



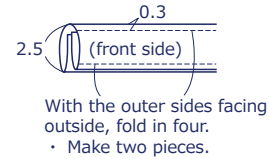
have fun with KOKKA fabric! produced by **KOKKA**

kokka-fabric.com

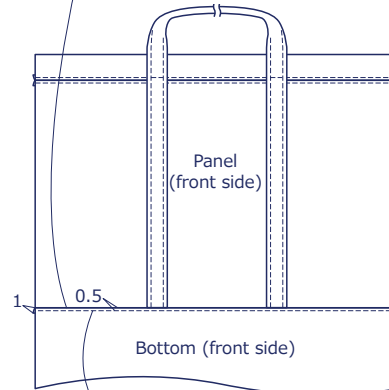
The craft projects and works featured in kokka-fabric.com are strictly for personal use and enjoyment. Please refrain from selling handmade items using the same exact design (including the pieces made in different fabrics) featured in kokka-fabric.com.

Instructions

1. Make the handles.

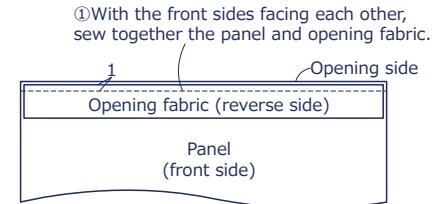


④ With the front sides facing each other, sew together the panel and bottom.



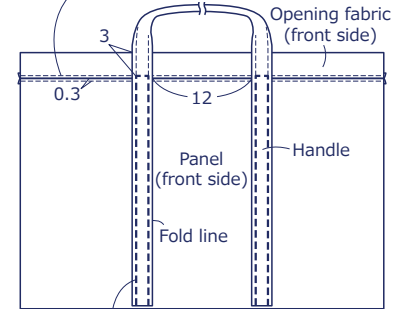
⑤ Press the seam down to the bottom side and run stitches.
• Repeat the process on the other side, following Process ④&⑤.

2. Make the outer bag.



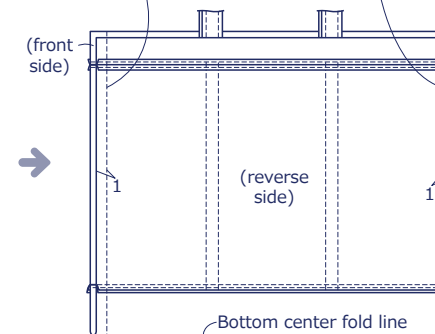
① With the front sides facing each other, sew together the panel and opening fabric.

② Press the seam from Process ① open and run stitches.

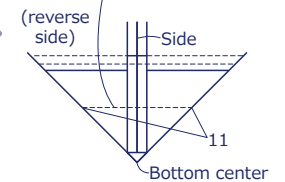


③ Attach the handle (Sew over the stitch line from Step ①.)
• Make two pieces.

⑥ With the front sides facing each other, fold in half and sew both sides.



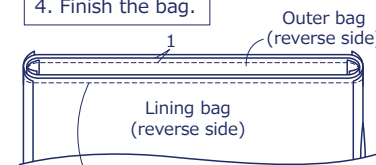
⑦ Press the seam from process ⑥ open. Fold the bottom corner in a triangle and sew the gusset.
• Repeat the process on the other side.



3. Make the lining bag.

Repeat the process for the lining fabric following Step ② Process ⑥&⑦.
(Leave an opening for turning for 15cm on one side.)

4. Finish the bag.



① With the front sides facing each other, sew together the outer and lining bags at the top opening.

② Turn it inside out and close the opening.
③ Run stitches around the top opening. (Avoid the handles)

