



# Gown Style Cardigan

Design & work: Anriko

Size: 87cm (length)

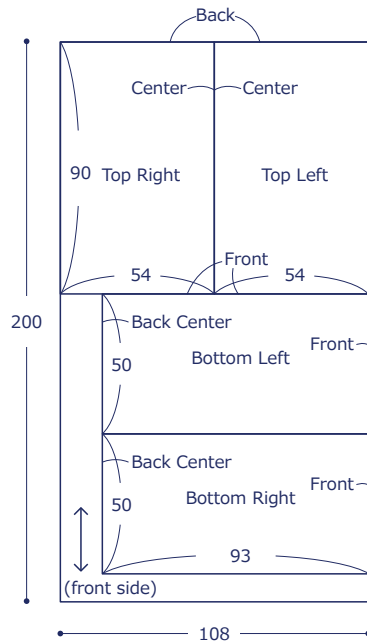
## Materials

- Fabric: 108cm wide x 2m
- Grosgrain Ribbon: 1.6cm wide x 1.6m

Fabric shown for this sample: echino ray JG96800-800D Double Gauze

## Pattern and Cutting Layout

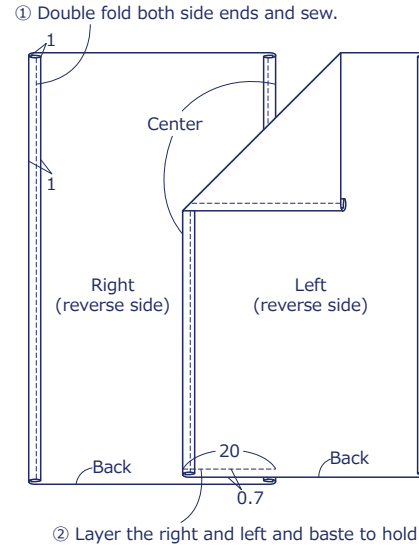
Unit: cm All raw edge.



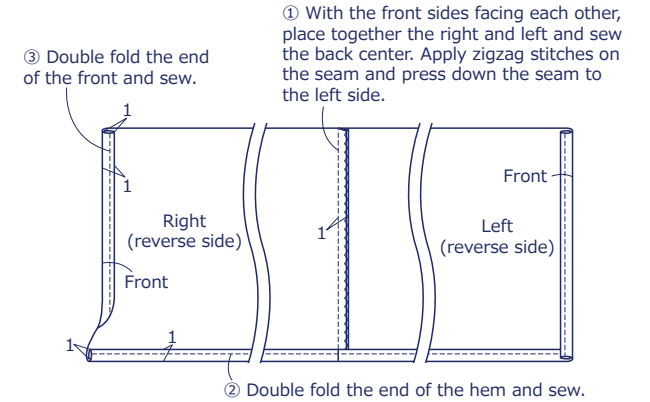
The craft projects and works featured in kokka-fabric.com are strictly for personal use and enjoyment. Please refrain from selling handmade items using the same exact design (including the pieces made in different fabrics) featured in kokka-fabric.com.

## Instructions

### 1. Make the top portion.



### 2. Make the bottom portion.



### 3. Finish the cardigan.

① With the front sides facing each other, sew together the top and bottom. Apply zigzag stitches on the seam.

