



Large One Handle Bag

Design & Work: Yui Tamaki

Size: 28cm (l) 41cm (w – top side)
31cm (bottom) 10cm (d)

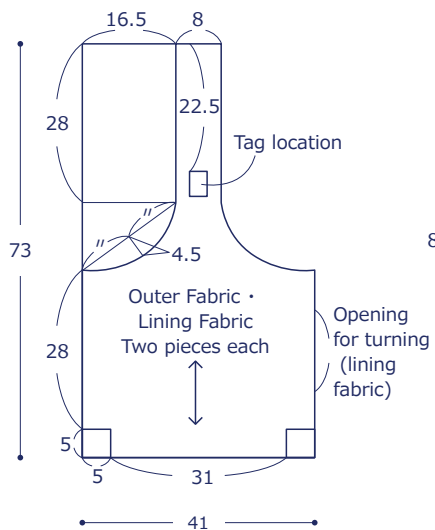
Materials

- Fabric (Outer fabric): 90cm x 80cm
(Lining fabric): 90cm x 80cm
- Fusible interfacing: 40cm x 10cm
- Tag (leather): 3cm x 5cm
- Ring: One piece (10cm diameter)

Fabric shown for this sample: (Outer fabric) echino samber JG96170-70D

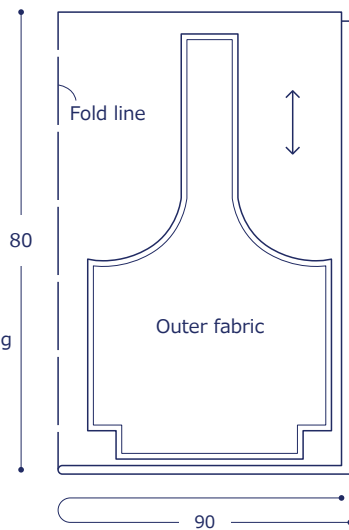
Pattern

Unit: cm



Cutting Layout

Add 1cm seam allowance.



* Cut the lining fabric as shown above.

have fun with KOKKA fabric! produced by **KOKKA**

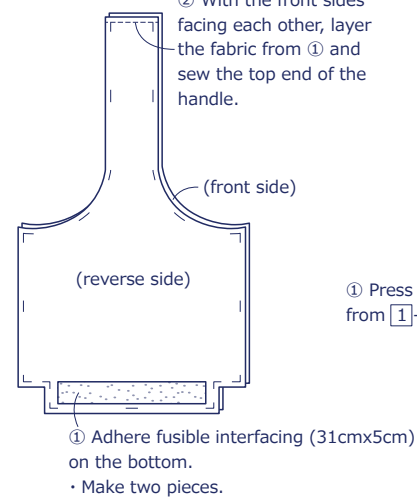
kokka-fabric.com

The craft projects and works featured in kokka-fabric.com are strictly for personal use and enjoyment. Please refrain from selling handmade items using the same exact design (including the pieces made in different fabrics) featured in kokka-fabric.com.

Instructions

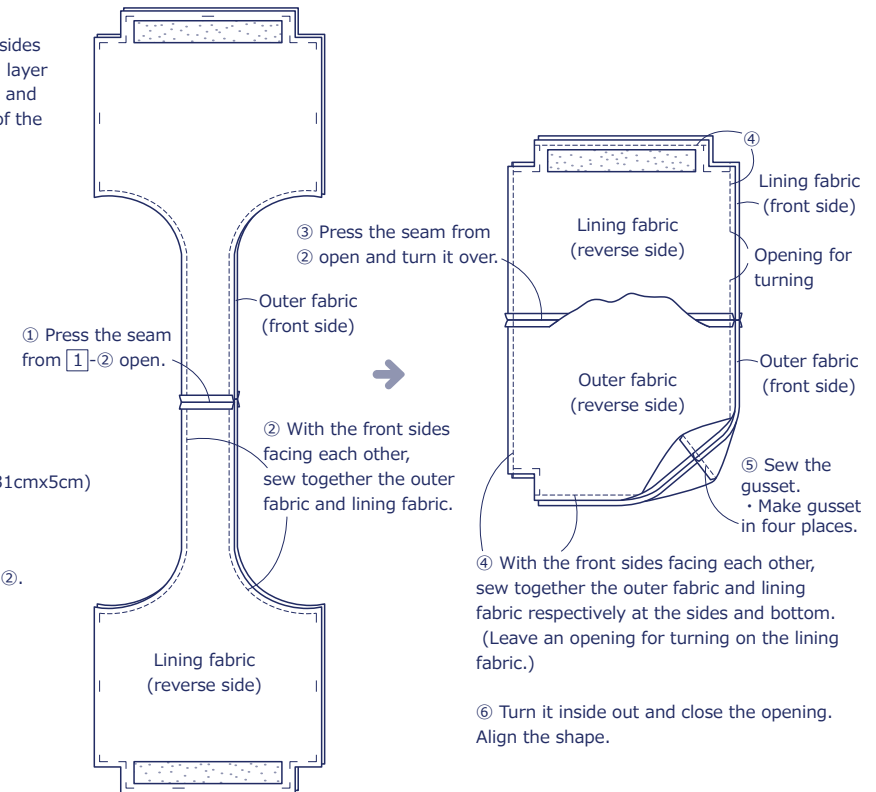
1. Prepare the outer fabric and lining fabric.

<Lining fabric>



※ For outer fabric, repeat the process ②.

2. Sew together the outer fabric and lining fabric.



3. Finish the bag.

