



Balloon Tunic

Design & work: Kokka Fabric

Size: 90cm

have fun with KOKKA fabric! produced by **KOKKA**

kokka-fabric.com

The craft projects and works featured in kokka-fabric.com are strictly for personal use and enjoyment. Please refrain from selling handmade items using the same exact design (including the pieces made in different fabrics) featured in kokka-fabric.com.

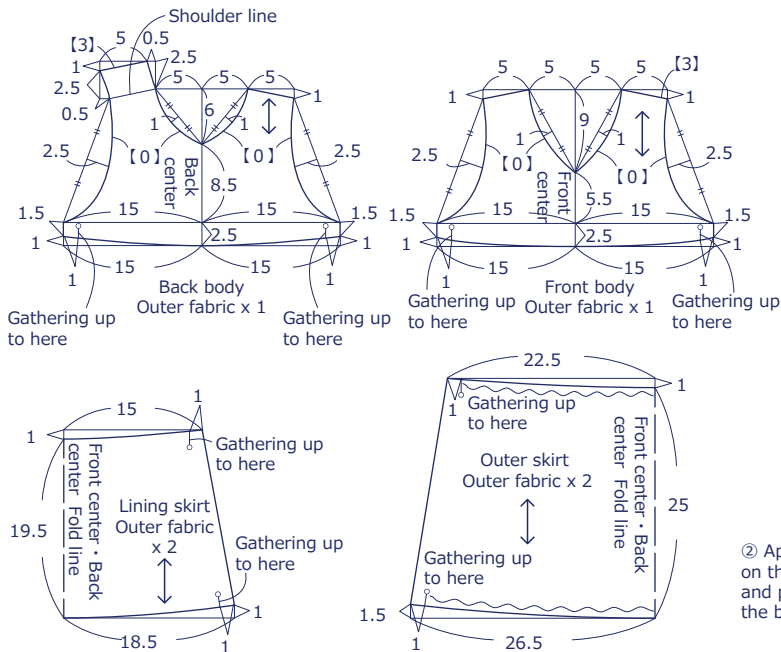
Materials:

- Outer fabric: 108cm widex90cm
- Bias binding tape: 11mm widex130cm
- Snap button: 9mm wide x two pairs

Fabric shown for this sample: P49500-501D

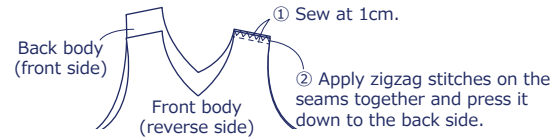
Pattern

Unit: cm []: Seam allowance.
Add 1cm seam allowance unless specified otherwise.

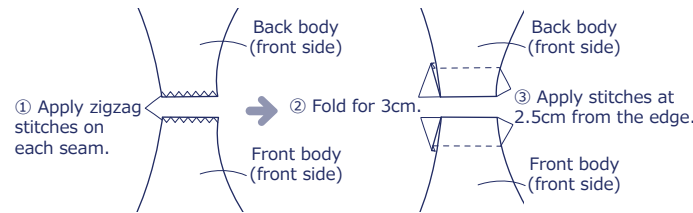


Instructions

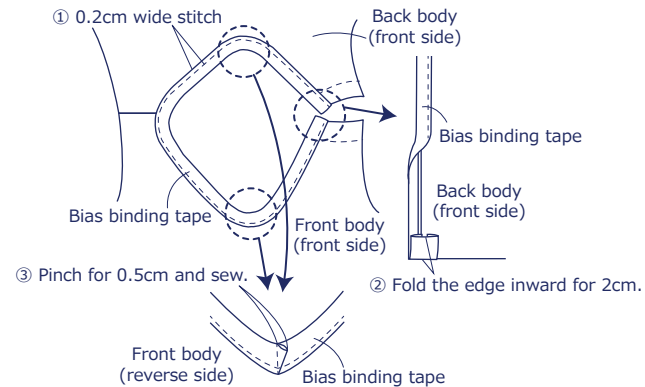
1. With the front sides facing each other, sew together the bodies at the right shoulder



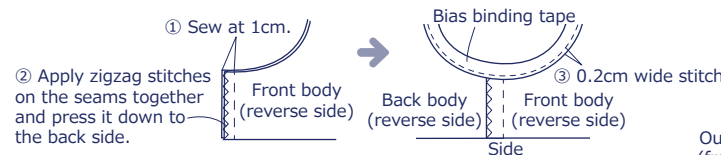
2. Finish the seam on the left shoulder



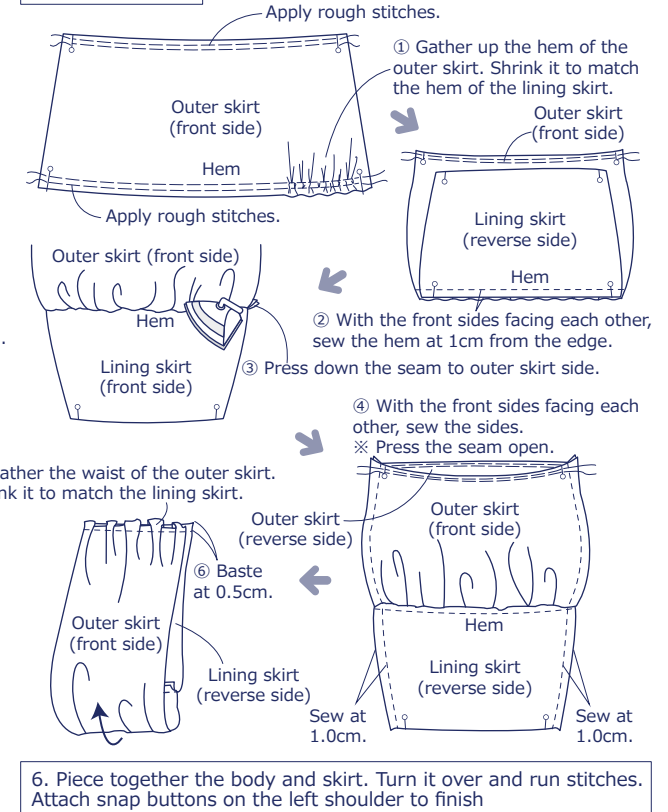
3. Finish the neckline using bias binding tape



4. With the front sides facing each other, sew the bodies at the sides. Finish the sleeve opening with the bias binding tape



5. Make the skirt



6. Piece together the body and skirt. Turn it over and run stitches. Attach snap buttons on the left shoulder to finish

