



# Pants Shaped Pochette

Design & work: Masumi Saito (sinafuku)

Size: about 32cm (l) 25cm (w)

have fun with KOKKA fabric! produced by **KOKKA**

[kokka-fabric.com](http://kokka-fabric.com)

The craft projects and works featured in kokka-fabric.com are strictly for personal use and enjoyment. Please refrain from selling handmade items using the same exact design (including the pieces made in different fabrics) featured in kokka-fabric.com.

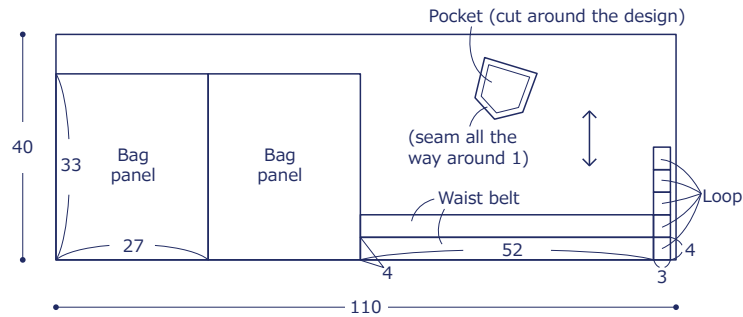
## Materials

- Fabric: 110cm wide×40cm
- Cord: 1m (1cm diameter)
- Dot Button: One pair (1.5cm diameter)

Fabric shown for this sample: P49800-800A

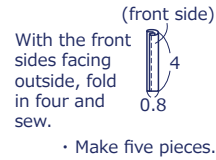
## Pattern and Cutting Layout

Unit: Centimeters (cm) All raw edge.

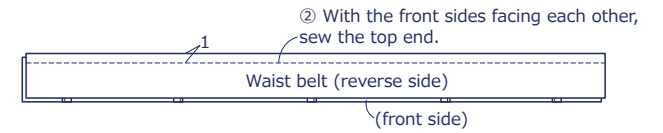
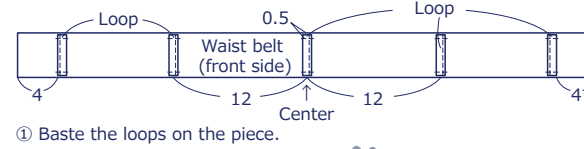


## Instructions

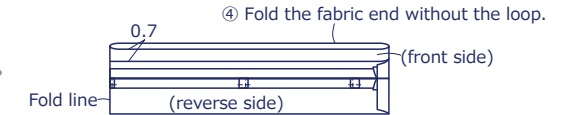
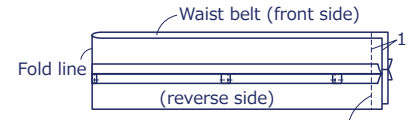
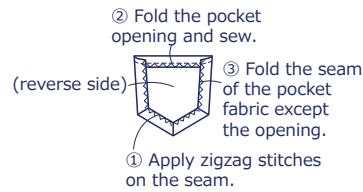
### 1. Make the loop



### 2. Make the waist belt

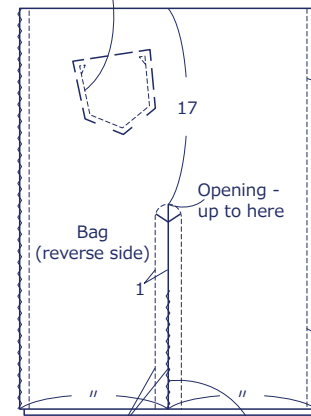


### 3. Make the pocket



### 4. Make the bag

- ① Check the balance and attach the pocket on one of the bag pieces.



- ② Mark the fabric up to where the opening ends. Sew around the marked line and cut a slit.
- ③ Apply zigzag stitches on the edge of the opening from ②.

