



Gathered Skirt with Yoke

Design & Work: Anriko

Size: Skirt length 70cm

have fun with KOKKA fabric! produced by **KOKKA**

kokka-fabric.com

The craft projects and works featured in kokka-fabric.com are strictly for personal use and enjoyment. Please refrain from selling handmade items using the same exact design (including the pieces made in different fabrics) featured in kokka-fabric.com.

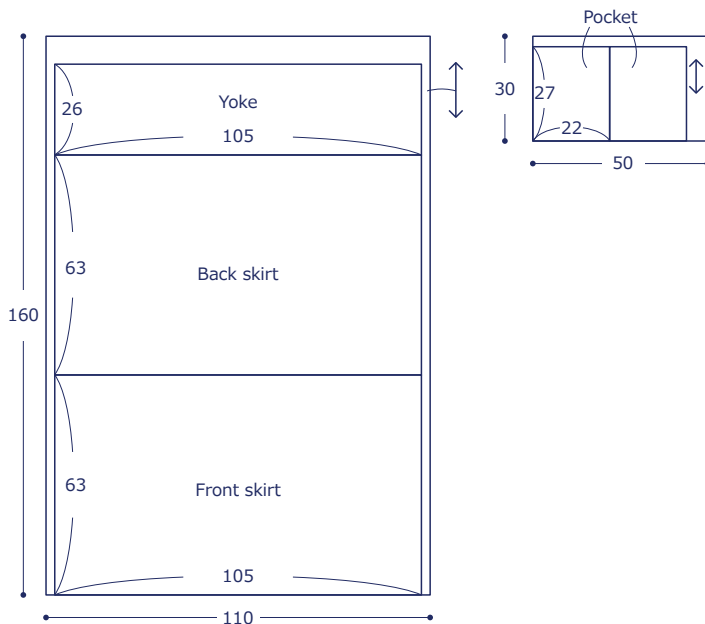
Materials

- Fabric (Yoke, Front & Back Skirt): 110cm wide×1.6m (Pocket): 50cm×30cm
- Elastic tape: 1.8m (6 cord)

Fabric shown for this sample: (Yoke, Front and Back Skirt) echino JG96900-900c

Pattern and Cutting Layout

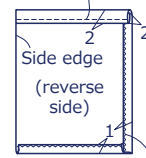
Unit: cm. All raw edge.



Instructions

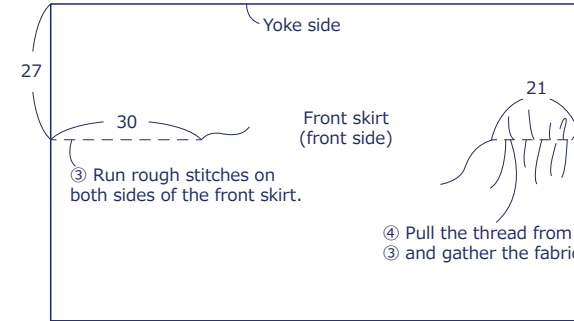
1. Make the pocket

② Double fold the top opening of the pocket and sew.



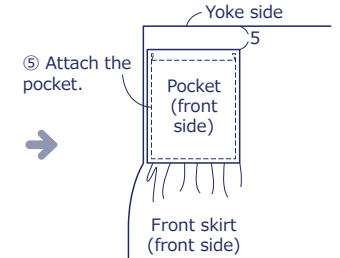
① Apply zigzag stitches on the edge of the fabric except the top opening and side edge. Fold the fabric.

• Make one piece each as a mirror image.



③ Run rough stitches on both sides of the front skirt.

④ Pull the thread from ③ and gather the fabric.

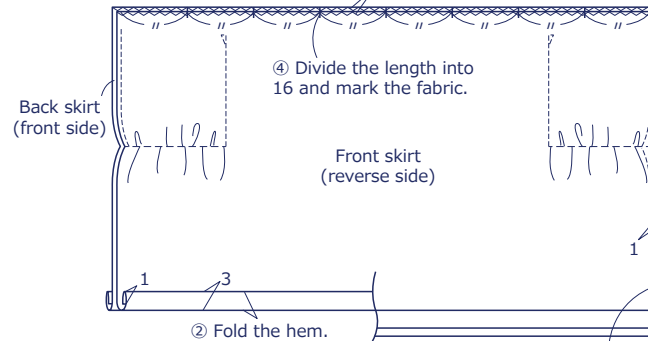


⑤ Attach the pocket.

⑥ Pull the thread from ④. Attach the other piece following the same process.

2. Make the skirt

① Apply zigzag stitches on the edge of the front and back skirts at the Yoke side.

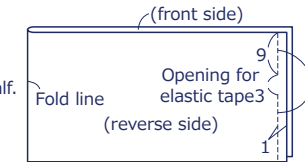
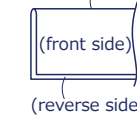


④ Divide the length into 16 and mark the fabric.

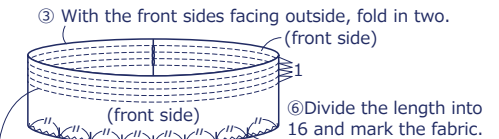
② Fold the hem.

3. Make the yoke

① With the front sides facing outside, fold in half.



② Open ①. With the front sides facing each other, fold in half. Sew the sides, leaving an opening for elastic tape.



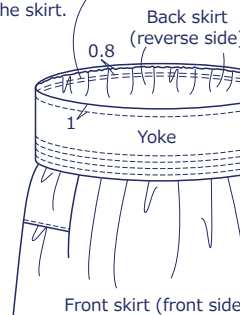
③ With the front sides facing outside, fold in two.

④ Apply stitches.

⑤ Apply zigzag stitches on the fabric edge.

4. Finish the skirt

① Run rough stitches on the yoke side of the skirt.

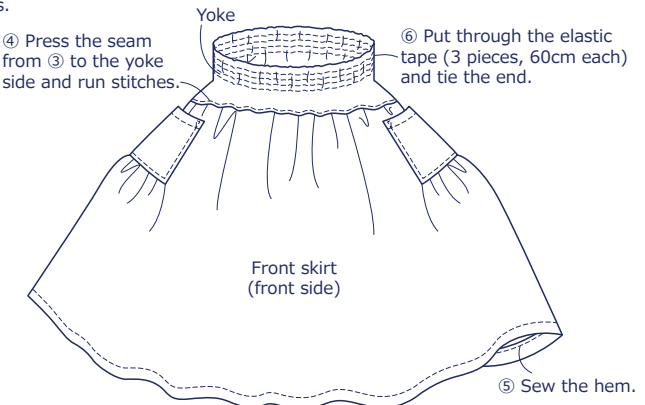


② Layer the yoke and skirt. Pin them together. Pull the thread from ① and gather the fabric.

③ Sew together the yoke and skirt.

Opening for elastic tape

④ Press the seam from ③ to the yoke side and run stitches.



⑥ Put through the elastic tape (3 pieces, 60cm each) and tie the end.

⑤ Sew the hem.

※ Process for zigzag stitches for [2]-① and [3]-⑤ is not shown here.