



# One Handle Round Bottom Bag

Design & Work: Mioko Sugino

Size: 20cm (l) 15cm (bottom diameter)

## Materials

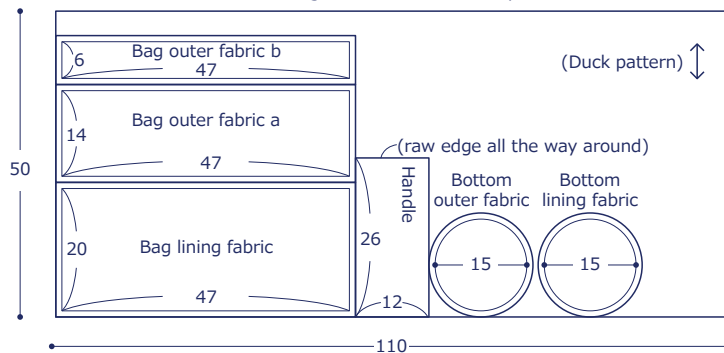
□ Fabric 110cm wide x 50cm

Fabric shown for this sample: EVX71000-3B

## Pattern and Cutting Layout

All measurements are in centimeters (cm).  
Add 1cm seam allowance unless specified otherwise.

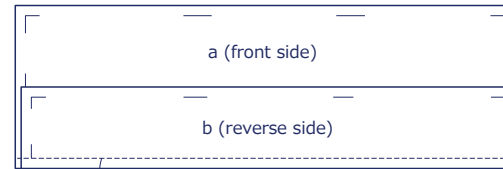
※ For bag outer fabric b, bottom outer fabric and bag lining fabric, use the footstep side to be the front.



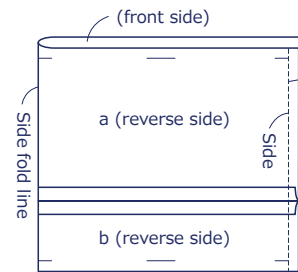
The craft projects and works featured in kokka-fabric.com are strictly for personal use and enjoyment. Please refrain from selling handmade items using the same exact design (including the pieces made in different fabrics) featured in kokka-fabric.com.

## Instructions

### 1. Make the outer bag.

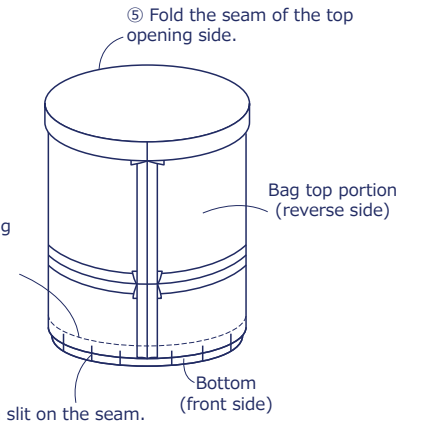


① With the front sides facing each other, sew together the bag outer fabric a and b.



② Open the piece from ①. Fold in half and sew one side.

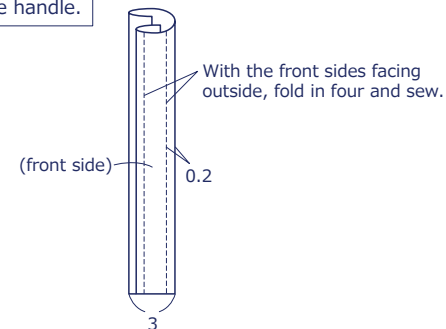
③ With the front sides facing each other, sew together the pieced bag outer fabric and bottom outer fabric.



### 2. Make the lining bag.

Repeat the process for bag lining fabric and bottom fabric, following step ① - ② - ⑤.

### 3. Make the handle.



### 4. Finish the bag.

With the front sides facing outside, sew together the outer and lining bags with the handle inserted on both sides.

