



# Shirt Style Dress

Design & work: Kokka Fabric

Size: M

have fun with KOKKA fabric! produced by **KOKKA**

**kokka-fabric.com**

The craft projects and works featured in kokka-fabric.com are strictly for personal use and enjoyment. Please refrain from selling handmade items using the same exact design (including the pieces made in different fabrics) featured in kokka-fabric.com.

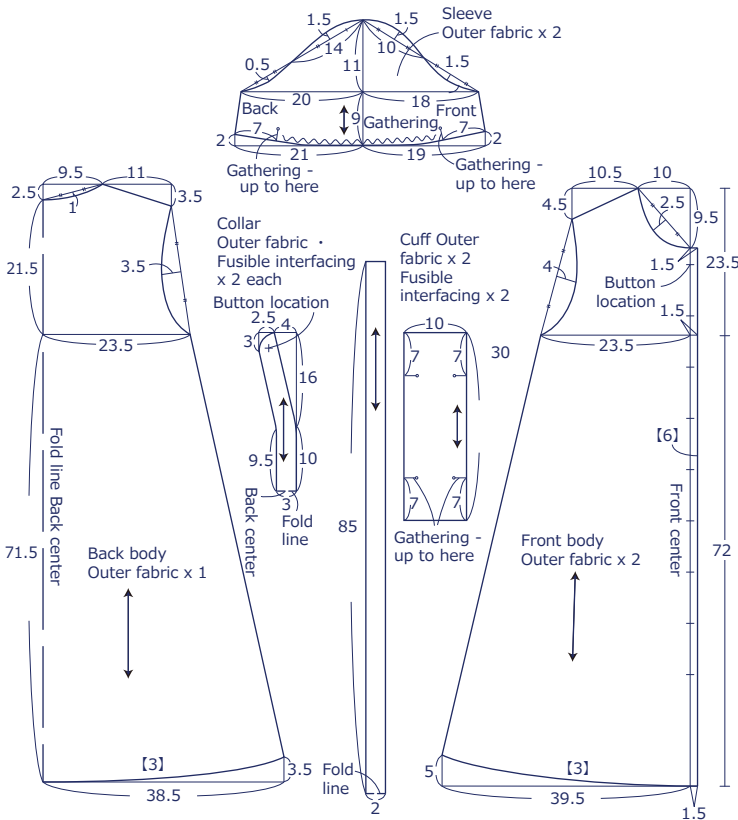
## Materials

- Outer fabric: 110cm wide x 240cm
- Fusible interfacing: (thin) 50cm (w) x 60cm (l)
- Button: 11.5mm wide x 10 buttons

Fabric shown for this sample: YK51040-2B

## Pattern

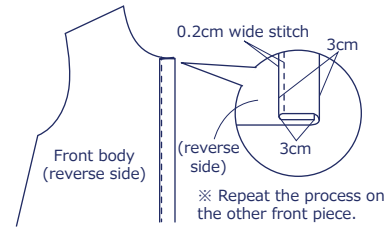
○ denote seam allowance. Add seam allowance when cutting the fabric.



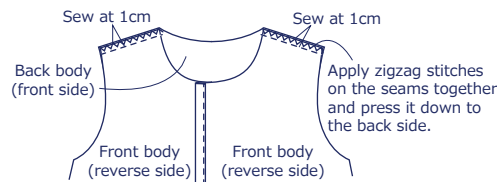
※ Adhere fusible interfacing on the back of the collar and cuff.

## Instructions

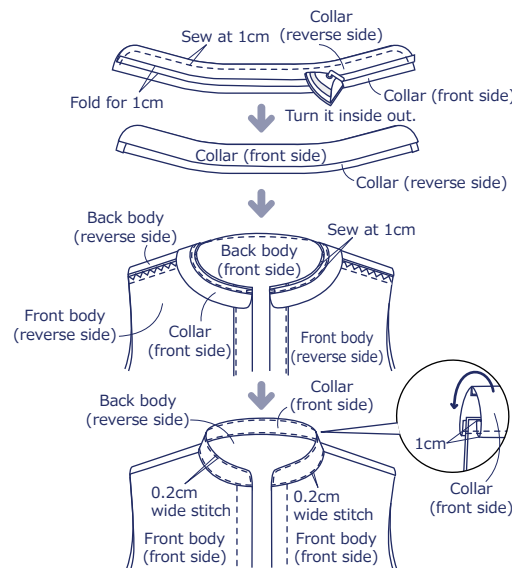
1. Fold the front edge in three and sew



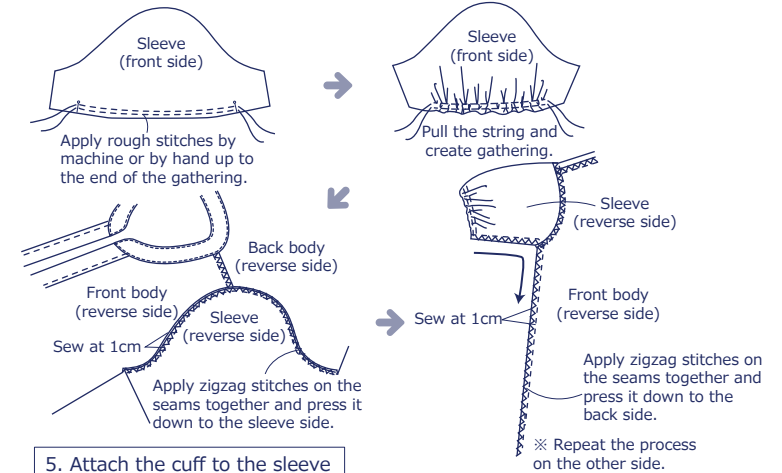
2. With the front sides facing each other, sew together the front and back bodices at the shoulder



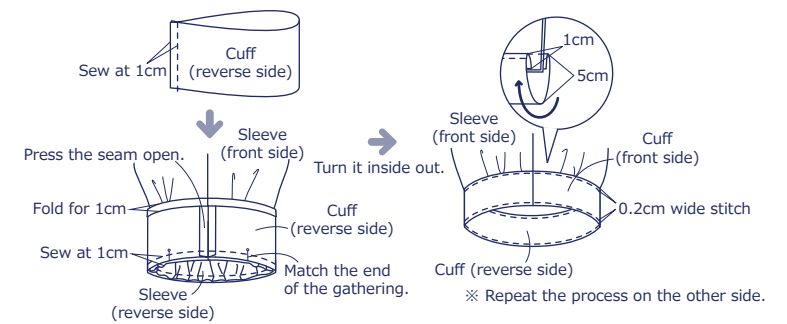
3. Make the collar and sew together with the body



4. Gather the sleeve and sew together with the body



5. Attach the cuff to the sleeve



6. Make the ribbon. Fold the hem in three and apply stitches. Attach buttons on the front edge and make button holes

