



Four Piece Gauze Item Set for Early Summer from 50cm Panel Fabric

Design & work: Satomi Takei (Tournesol*)
 Size: Mask – 10cm (l) 13.5cm (w)
 Ice pack cover – 13.6cm (l) 23cm (w)
 PET bottle cover 22.8cm (l) 12.3cm (w)
 Handkerchief about 24.5cm square

have fun with KOKKA fabric! produced by **KOKKA**

kokka-fabric.com

The craft projects and works featured in kokka-fabric.com are strictly for personal use and enjoyment. Please refrain from selling handmade items using the same exact design (including the pieces made in different fabrics) featured in kokka-fabric.com.

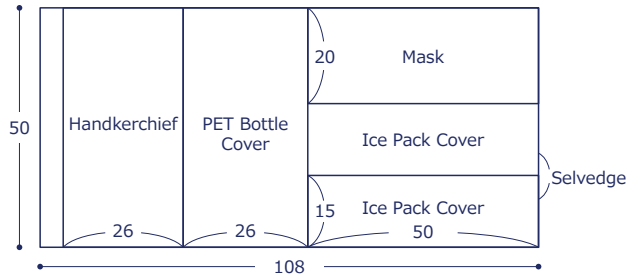
Materials

- Fabric: 108cm wide x 50cm
- Round elastic cord for the mask: 0.3cm diameter x 50cm
- Elastic tape: 0.5cm wide x 25cm

Fabric shown for this sample: YK51150-1C

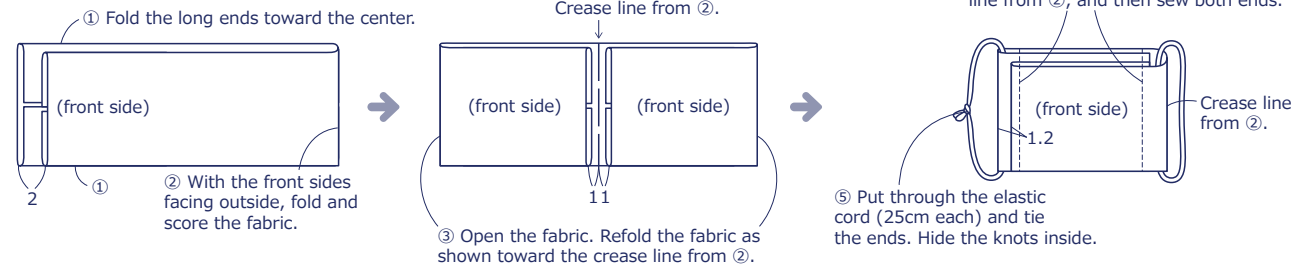
Pattern

Unit: cm. All raw edge.

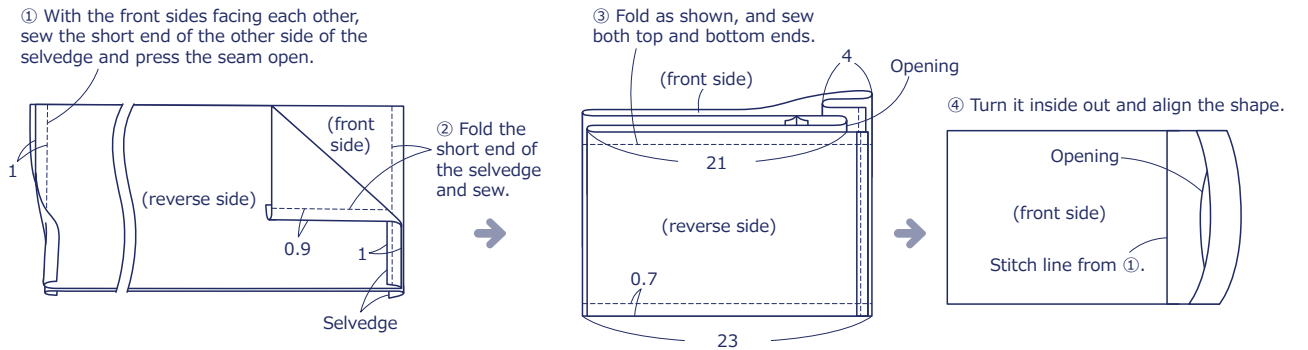


Instructions

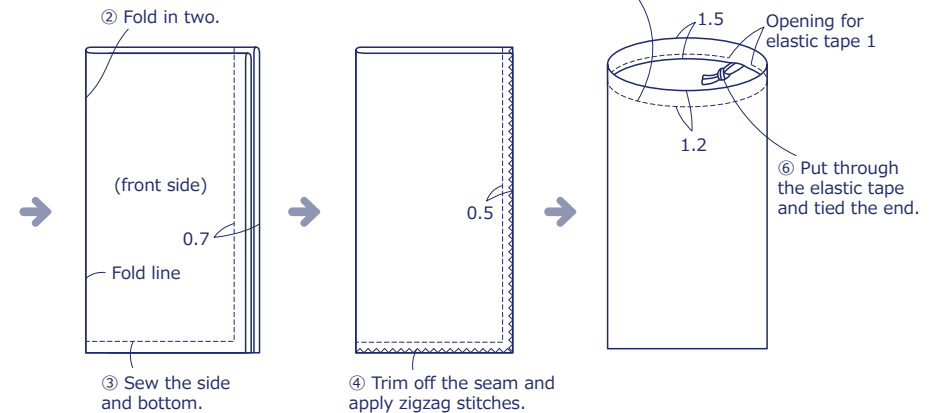
<Mask>



<Ice Pack Cover>



<PET Bottle Cover>



<Handkerchief>

