



Backpack

The craft projects and works featured in kokka-fabric.com are strictly for personal use and enjoyment. Please refrain from selling handmade items using the same exact design (including the pieces made in different fabrics) featured in kokka-fabric.com.

Design & work: Yuki Inomata

Size: 40cm (l) 35cm (maximum width) 12cm (d)

Materials

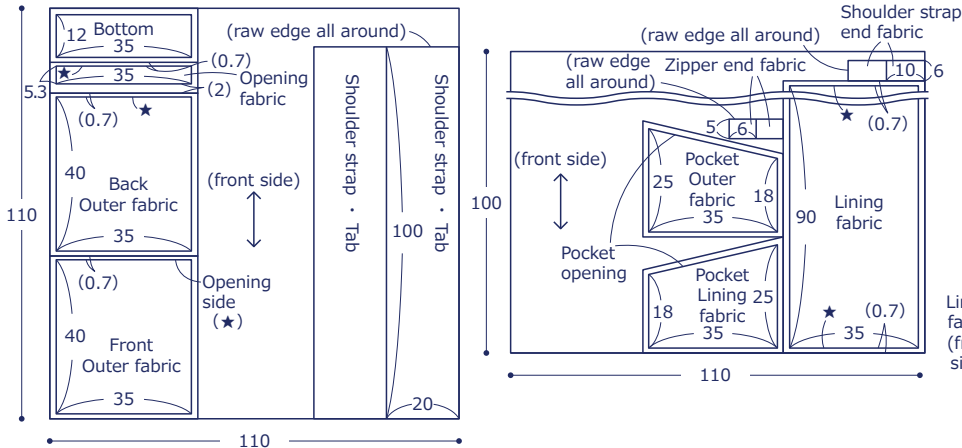
- Fabric (Outer fabric, Opening fabric, Bottom, Shoulder strap, Tab): 110cm wide × 1.1m (Pocket, End fabric, Lining fabric): 110cm wide × 1m
- Zipper: One piece (40cm)
- Wire Bag Frame: One pair (24cm (w) 5cm (h))
- D ring: Four pieces (4cm inner diameter)

Fabric shown for this sample:

(Outer fabric, Opening fabric, Bottom, Shoulder strap, Tab): JG50750-1A
 (Pocket, End fabric, Lining fabric): JG50740-1B

Pattern and Cutting Layout

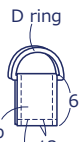
Unit: cm. Numbers in () denote seam allowance. Add 1cm seam allowance unless specified otherwise.



Instructions

1. Make the shoulder strap and tab

- ① Fold in four and sew.
- ② Cut here.
- ③ Put through two D rings and baste the end.



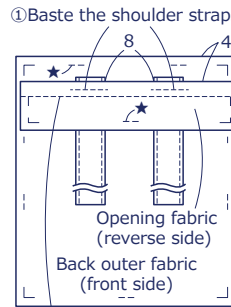
• Shoulder strap, Tab. Make two each

2. Make the front outer fabric. (refer to the photo)

- ① With the front sides facing each other, sew together the pocket opening fabric and lining fabric at the pocket opening.
- ② Turn it over and apply stitches along the pocket opening.
- ③ Layer the pocket over the front outer fabric. Sew the dividing line in the center. Baste both side ends and bottom.

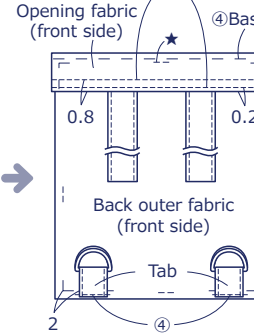
3. Make the back outer fabric

- ① Baste the shoulder straps.
- ② With the front sides facing each other, sew together.



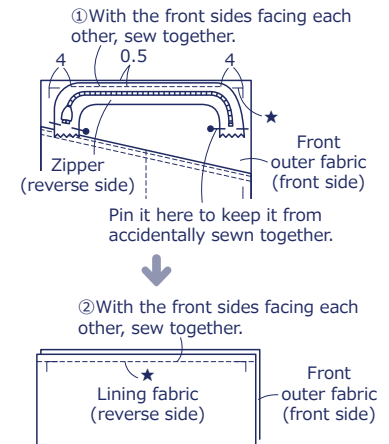
4. Make the outer fabric

- ③ Apply stitches.
- ④ Baste here.
- ① With the front sides facing each other, sew together.
- ② Apply stitches.



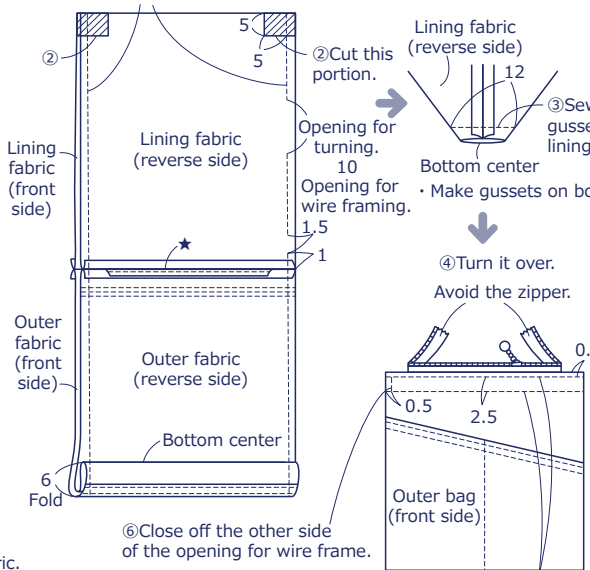
5. Attach the zipper

- ① With the front sides facing each other, sew together.
- ② With the front sides facing each other, sew together.
- ③ As in process ① and ②, attach the zipper to back outer fabric and the other short end of the lining fabric.



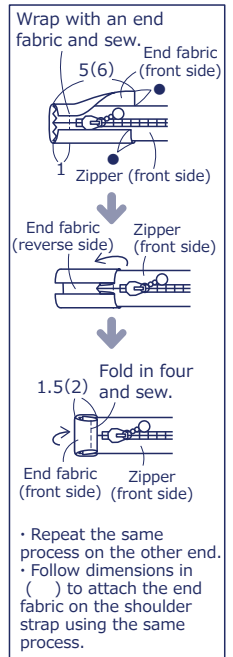
6. Make the main bag

- ① Open the zipper. With the front sides facing each other, put together the outer fabrics and lining fabrics respectively. Make the gusset on the outer fabric. On the lining fabric, sew both sides leaving an opening for turning and opening for wire framing. (Avoid both ends of the zipper.)
- ② Cut this portion.
- ③ Sew the gusset on the lining fabric.
- ④ Turn it over. Avoid the zipper.
- ⑤ Apply stitches to create opening for wire frame.
- ⑥ Close off the other side of the opening for wire frame.



7. Finish the bag

- ① Put through the wire frame and close the opening as in Step 6 - ⑥.
- ② Close the opening for turning on the lining bag.
- ③ Attach end fabric on the zipper.
- ④ As in process ③, attach end fabric on the shoulder strap.
- ⑤ Put shoulder strap through D rings.
- ⑥ Attach the remnant piece of your choice.



• Repeat the same process on the other end.
 • Follow dimensions in () to attach the end fabric on the shoulder strap using the same process.