



Sacoche with Folded Top

Design & work: Mioko Sugino

Size: 20cm (l – when folded)
27cm (w-bottom) 2cm (d)

have fun with KOKKA fabric! produced by **KOKKA**

kokka-fabric.com

The craft projects and works featured in kokka-fabric.com are strictly for personal use and enjoyment. Please refrain from selling handmade items using the same exact design (including the pieces made in different fabrics) featured in kokka-fabric.com.

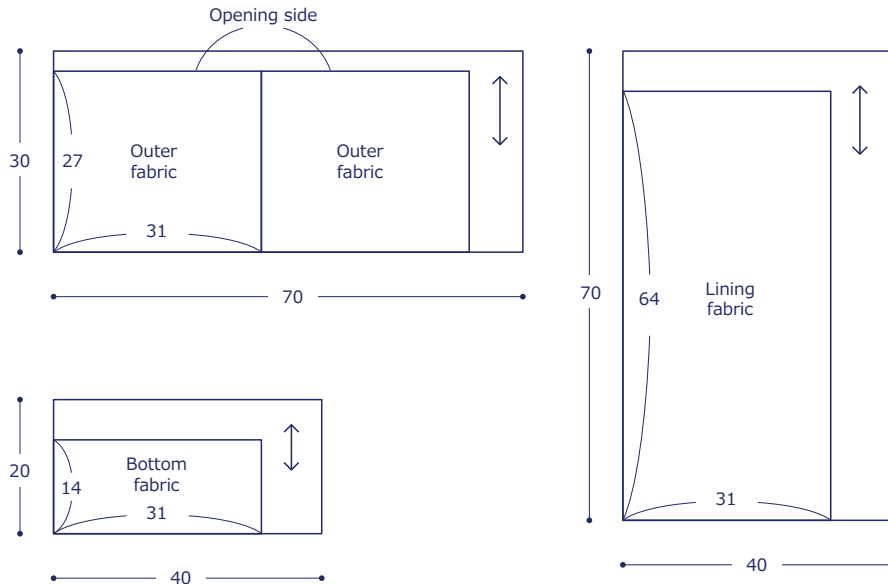
Materials

- Fabric (Outer fabric) : 70cm wide × 30cm
(Lining fabric): 40cm wide × 70cm
(Bottom fabric): 40cm wide × 20cm
- Tape: 1.4m (3cm wide)
- Lobster clasp, Rectangle buckle: 2 pieces each (3cm inner diameter)
- Adjustable slide buckle: 1 piece (3cm inner diameter)

Fabric shown for this sample: (Outer fabric) Ellen Baker EKXA-5200-2A

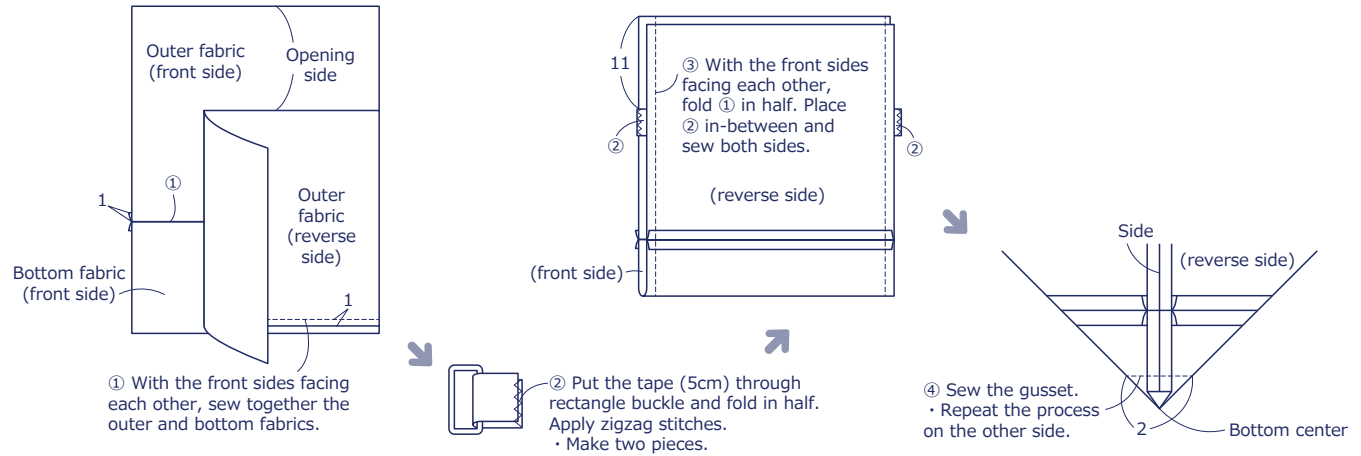
Pattern and Cutting Layout

Unit: Centimeters (cm) All raw edge.



Instructions

1. Make the outer bag

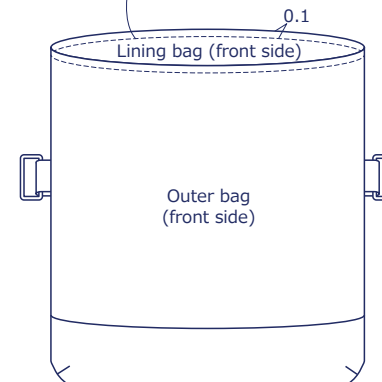


2. Make the lining bag

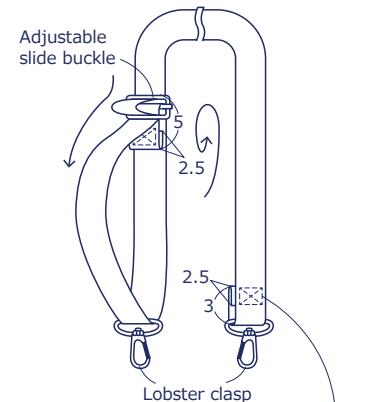
With the front sides facing each other, fold the lining fabric in half. Repeat the process as in 1-3 (no tape) and 4.

3. Sew together the outer bag and lining bag

Fold the edge of the outer bag and lining bag for 1cm inward. With the front sides facing outside, sew together the bags.



4. Make the strap



① Put the tape (1.3m) through lobster clasp and adjustable slide buckle and sew.

② Attach it to the bag.