



Boston Bag

Design & work: Anriko

Size: about 40cm (l)
65cm (w - at the top)
51cm (bottom)
14cm (d)

have fun with KOKKA fabric! produced by KOKKA

kokka-fabric.com

The craft projects and works featured in kokka-fabric.com are strictly for personal use and enjoyment. Please refrain from selling handmade items using the same exact design (including the pieces made in different fabrics) featured in kokka-fabric.com.

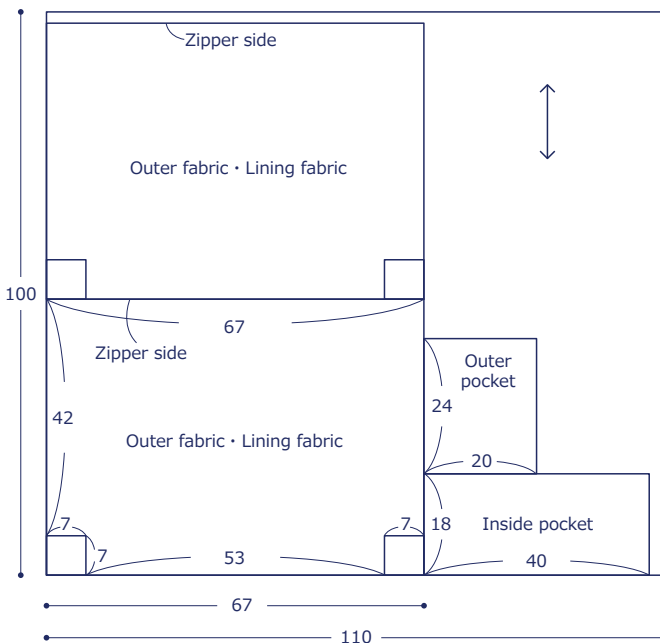
Materials

- Fabric (Outer fabric, Pocket): 110cm wide×1m (Lining fabric): 67cm×1m
- Two-way zipper: 1 piece (60cm)
- Double-folded bias binding tape: 1.5m (2cm wide)
- Tape: 2m66cm (2.5cm wide)
- Acrylic tape: 24cm (2.5cm wide)
- O rings: 2 pieces (2.5cm inside diameter)
- Swivel hook: 2 pieces (2.5cm inside diameter)

Fabric shown for this sample: (Outer fabric, Pocket) LG16060-1D

Pattern & Cutting Layout

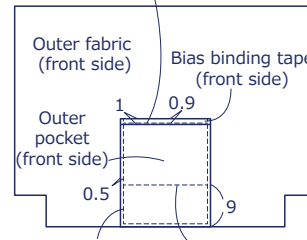
Unit: cm All raw edge



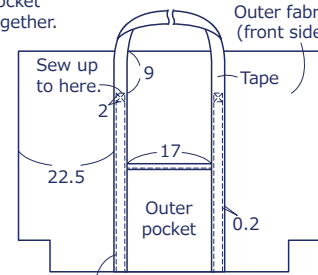
Instructions

1. Make the outer fabric

① Fold the bias binding tape in half. With the pocket opening of the outer pocket in-between, sew together.



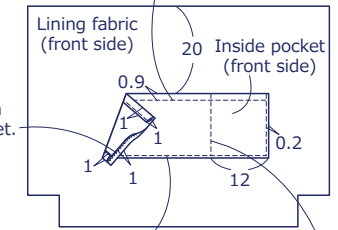
② Baste the outer pocket to the outer fabric. ③ Sew the bottom.



④ Attach the tape (125cm each).
• Repeat the process ④ on the other side.

2. Make the lining fabric

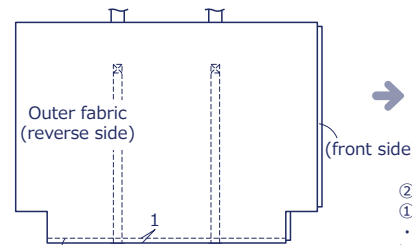
② Fold the edge of the pocket opening in three and sew.



① Apply zigzag stitches on the bottom and both ends of the inside pocket.

③ Fold the bottom and both ends of the pocket and sew it onto the lining fabric. ④ Sew the dividing line.

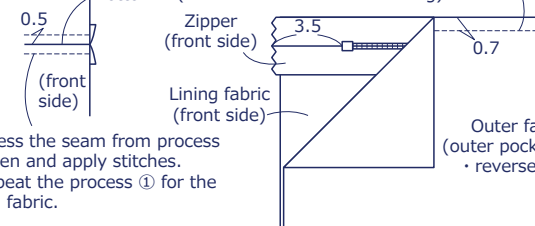
3. Sew the bottom



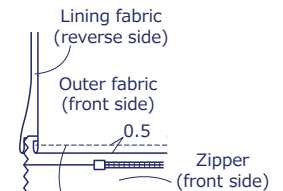
① With the front sides facing each other, sew together two outer fabrics at the bottom.

4. Attach the zipper

① With the front sides facing each other, sew together the outer and lining fabrics with a zipper in-between (avoid the handle when sewing).

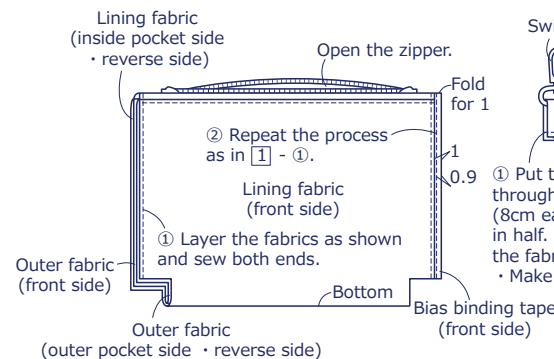


② Press the seam from process ① open and apply stitches.
• Repeat the process ① for the lining fabric.



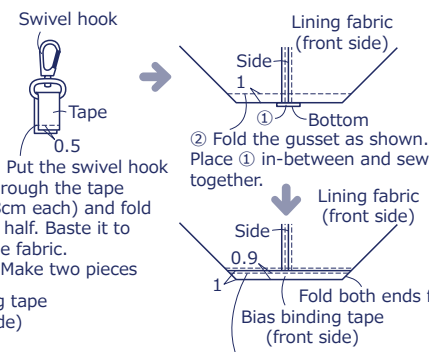
② Turn it over and apply stitches.
• Repeat the process on the other outer and lining fabrics (inside pocket side) and sew them together with the other end of the zipper.

5. Sew the sides



① Layer the fabrics as shown and sew both ends.
② Repeat the process as in ① - ①.

6. Sew the gusset



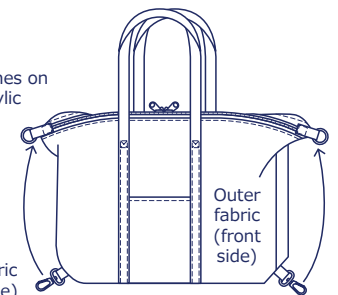
① Put the swivel hook through the tape (8cm each) and fold in half. Baste it to the fabric.
• Make two pieces
② Fold the gusset as shown. Place ① in-between and sew together.
③ Repeat the process as in ① - ①.
• Repeat it on the other side.
④ Turn it inside out.

7. Finish the bag

② Put O ring through and fold in half.
Acrylic tape

① Apply zigzag stitches on both ends of the acrylic tape (12cm each).
• Make two pieces

③ Fold the end corner of the opening into a triangle. Place it in-between ② and sew.
• Repeat the process on the other side.



④ Connect O ring with swivel hook.