



Curve Handle Bag

Design & work: Mioko Sugino

Size: 24cm (l) 36cm (w-at the top)
26cm (bottom) 10cm (d)

have fun with KOKKA fabric! produced by KOKKA

kokka-fabric.com

The craft projects and works featured in kokka-fabric.com are strictly for personal use and enjoyment. Please refrain from selling handmade items using the same exact design (including the pieces made in different fabrics) featured in kokka-fabric.com.

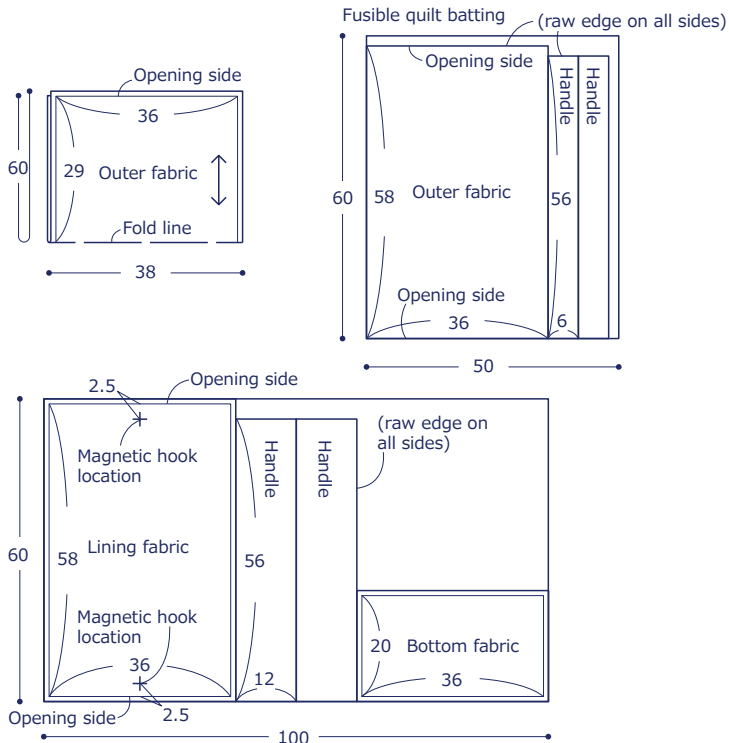
Materials

- Fabric (Outer fabric): 38cm x 60cm
(Bottom, Handle, Lining fabric): 100cm x 60cm
- Fusible quilt batting: 50cm x 60cm
- Magnetic hook (sew on type): One pair (1.8cm diameter)

Fabric shown for this sample: (Outer fabric) YTA-99040-1B

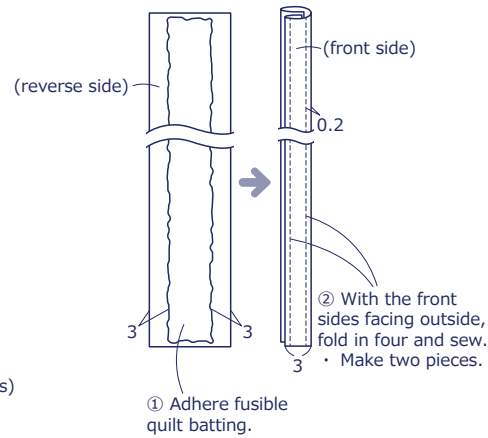
Cutting Layout

Unit: cm. Add 1cm seam allowances unless otherwise stated.

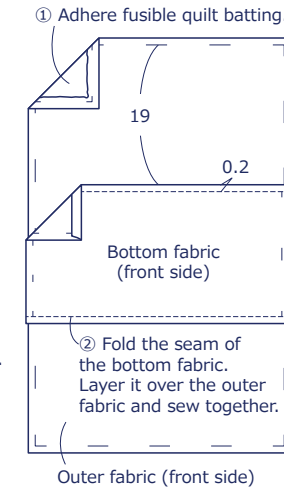


Instructions

1. Make the handles



2. Make the outer bag

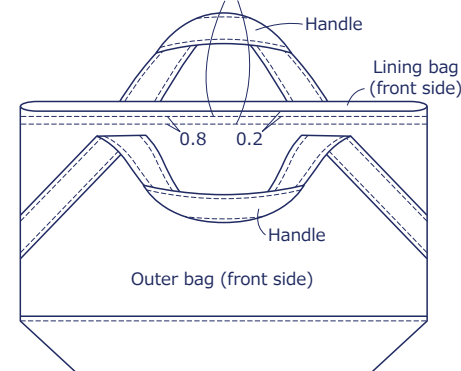


3. Make the lining bag

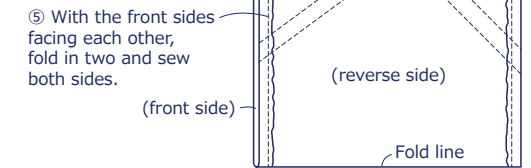
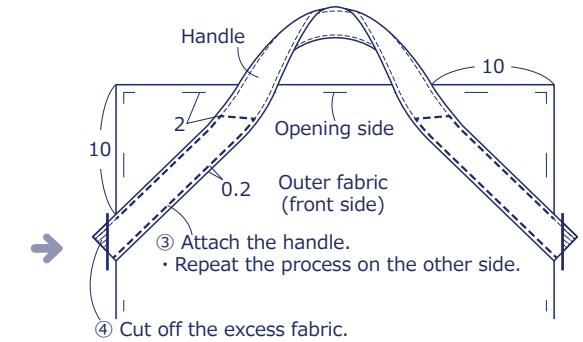
Repeat the process for the lining bag following step [2]-⑤~⑧.

4. Finish the bag

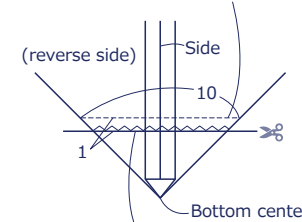
① With the front sides facing outside, layer the outer bag and lining bag. Sew together at the top opening, avoiding the handles.



② Attach the magnetic hook, making sure the outer bag is not accidentally sewn together.



⑥ Fold the bottom corner into a triangle and sew the gusset.



⑦ Cut off excess seam and apply zigzag stitches. Repeat the process on the other side.

⑧ Fold the seam of the top opening.