



Big Tote with Cotton Cord Handles

Design & work: Yui Tamaki

Size: about 33.5cm (l) 48cm (w)

have fun with KOKKA fabric! produced by KOKKA

kokka-fabric.com

The craft projects and works featured in kokka-fabric.com are strictly for personal use and enjoyment. Please refrain from selling handmade items using the same exact design (including the pieces made in different fabrics) featured in kokka-fabric.com.

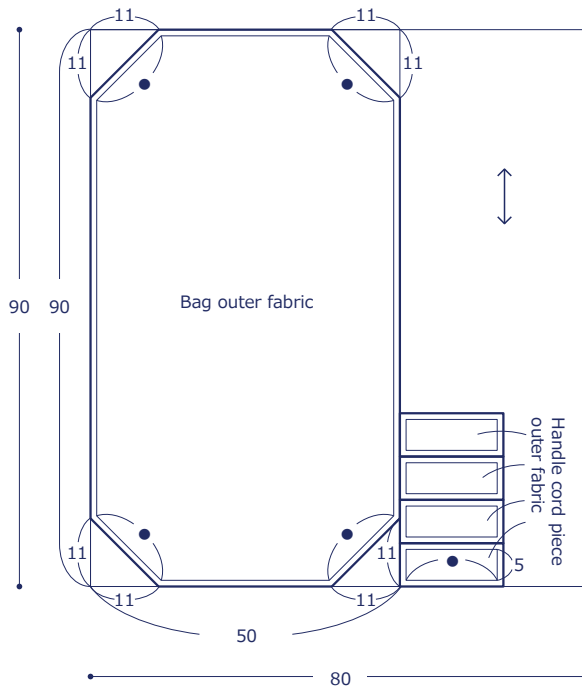
Materials

- Fabric (Outer fabric): 80cmx90cm
(Lining fabric, Canvas): 80cmx90cm
- Cotton Cord: 6.3m (0.5cm diameter)

Fabric shown for this sample: (Outer fabric) ETX-70000-2B

Pattern

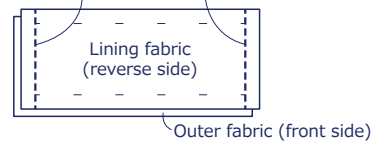
Unit: Centimeters (cm) Seam allowance: 1cm
Cut the lining fabric using the same pattern



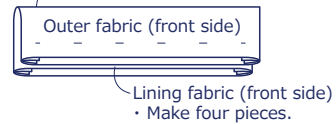
Instructions

1. Make the piece for handle cords

- ① With the front sides facing each other, sew together the outer and lining fabrics at the sides.



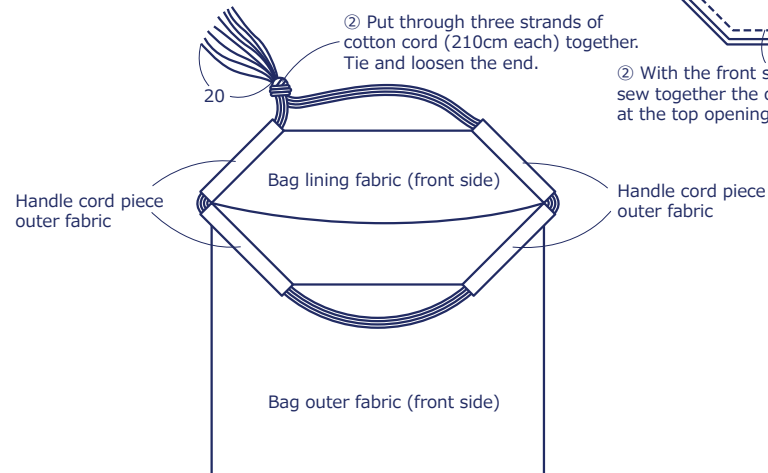
- ② Turn it inside out and fold in two.



3. Finish the bag

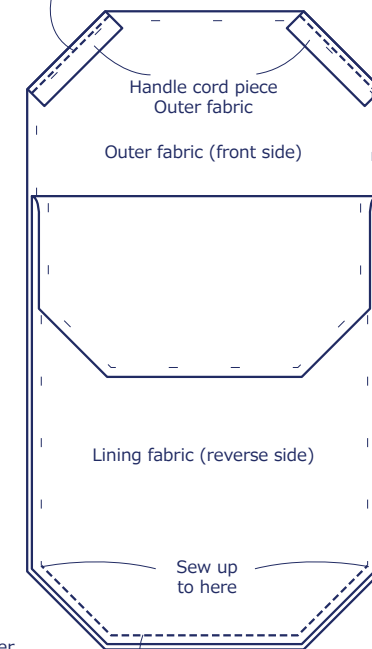
- ① Turn it inside out and close the opening for turning.

- ② Put through three strands of cotton cord (210cm each) together. Tie and loosen the end.

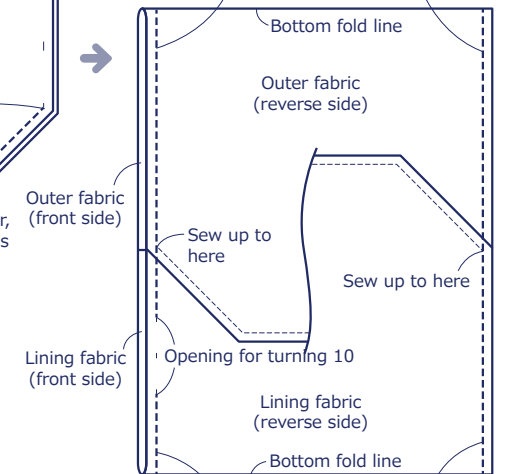


2. Make the bag panel

- ① Baste the handle cord piece on the outer fabric.



- ③ Fold the fabric as shown. Press down the opening to the lining fabric side. Sew the sides of the outer fabrics up to where it is indicated.



- ④ Press down the opening to the outer fabric side. Sew the sides of the lining fabrics up to where it is indicated. (Leave an opening for turning on one side.)