



Leather Handle Drawstring Bag

Design & Work: Mioko Sugino

Size: 21cm (l) 22cm (w) 6cm (gusset)

have fun with KOKKA fabric! produced by KOKKA

kokka-fabric.com

The craft projects and works featured in kokka-fabric.com are strictly for personal use and enjoyment. Please refrain from selling handmade items using the same exact design (including the pieces made in different fabrics) featured in kokka-fabric.com.

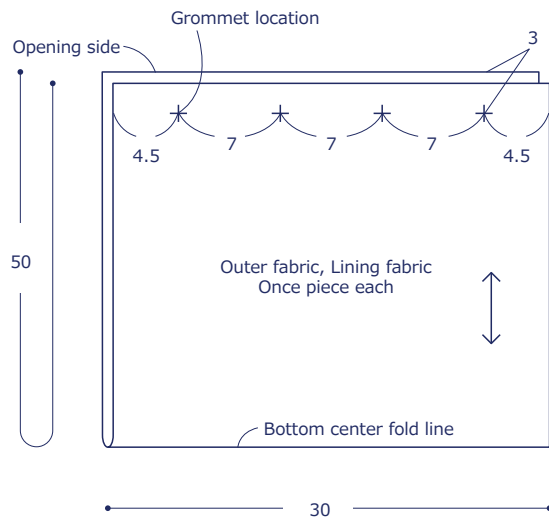
Materials and Tools

- Fabric (Outer fabric): 30cm×50cm
(Lining fabric): 30cm×50cm
- Leather tape: 38cm (2cm wide, 0.2cm thick)
- Rope: 1m (0.9cm diameter)
- Grommet: 8 pairs (1cm inner diameter)

Fabric shown for this sample: (Outer fabric) LG-21080-1D

Pattern

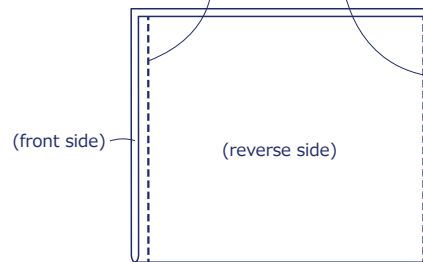
Unit: cm. All raw edge.



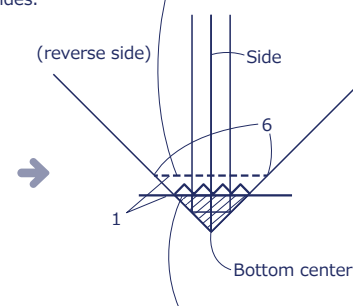
Instructions

1. Make the outer bag

① With the front sides facing each other, fold the outer fabric in half and sew both sides.

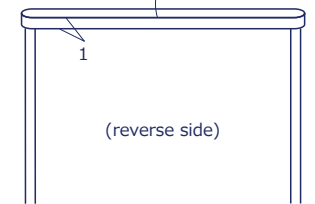


② Press the seam from ① open. Fold bottom corner in a triangle and make the gusset.



③ Cut off the excess fabric. Apply zigzag stitches on the seam.
• Repeat the process on the other side.

④ Fold the edge of the top opening.

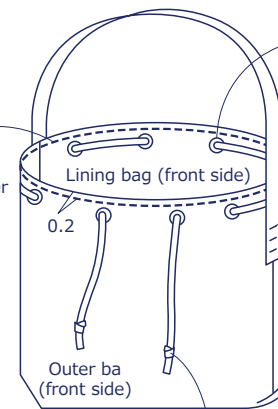


2. Make the lining bag

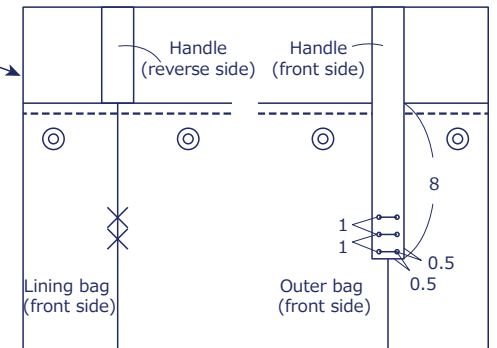
Using the lining fabric, repeat the process as in Step ①.

3. Finish the bag

① With the front sides facing outside, sew together the outer and lining bags at the top opening.



③ Make a hole on both ends of the leather tape and attach the tape to the bag.



④ Put the cord through and tie a knot at both ends.