



# Cache Coeur (Wraparound) Dress

Design & work: Naomi Nohara (Iepolepo)

Size: 120cm  
(Back length 73.5cm Body width 36cm)

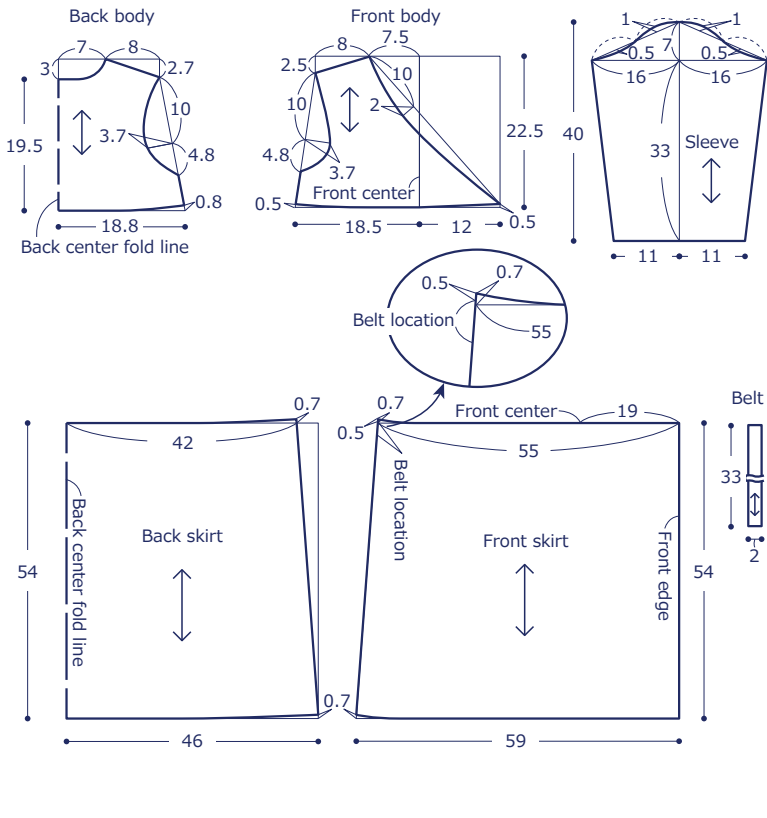
## Materials&Tools

□ Fabric: 108cm wide x 2.1m

Fabric shown for this sample: 3min. EEXA-3100-1B

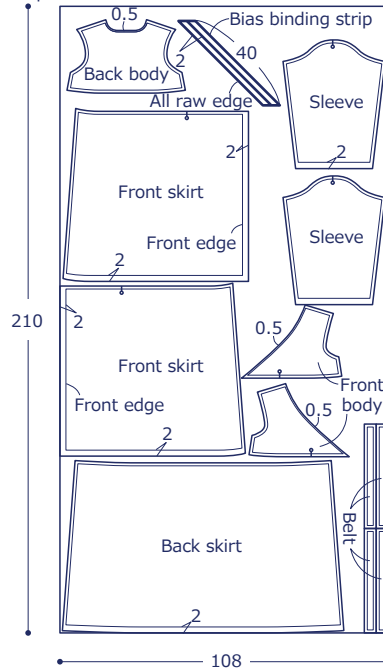
## Pattern

Unit: Centimeters (cm)



## Cutting Layout

Add 1cm seam allowance unless specified otherwise.



## Instructions

※Right - R, Left - L, Front Body - FB, Back Body - BB, Front Side - (FrS), Reverse Side (RvS), Bias Binding Strip - BBS, Front Skirt - FS, Back Skirt - BS, Sleeve - SL

