



# Round Bottom Backpack

Design & work: Anriko

Size: 40cm (l) 18cm (bottom diameter)

have fun with KOKKA fabric! produced by KOKKA

[kokka-fabric.com](http://kokka-fabric.com)

The craft projects and works featured in kokka-fabric.com are strictly for personal use and enjoyment. Please refrain from selling handmade items using the same exact design (including the pieces made in different fabrics) featured in kokka-fabric.com.

## Materials & Tools

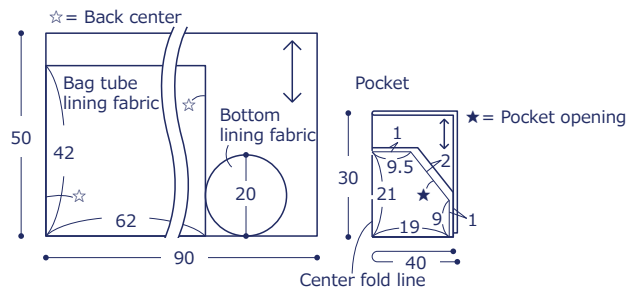
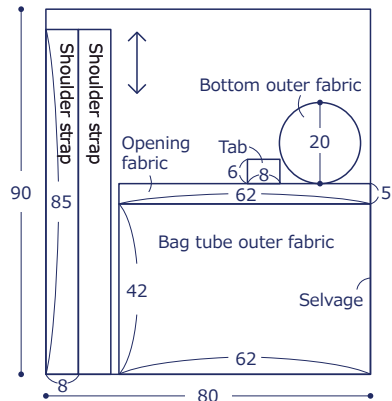
- Fabric (Outer fabric, Opening fabric, Shoulder strap, Tab): 80cm (includes selvage) x 90cm (Pocket): 40cm x 30cm (Lining fabric): 90cm x 50cm
- Rectangle ring: One piece (4cm)

Fabric shown for this sample:

(Outer fabric, Opening fabric, Shoulder strap, Tab) LO-41070-2B  
(Pocket) LO-41070-1B

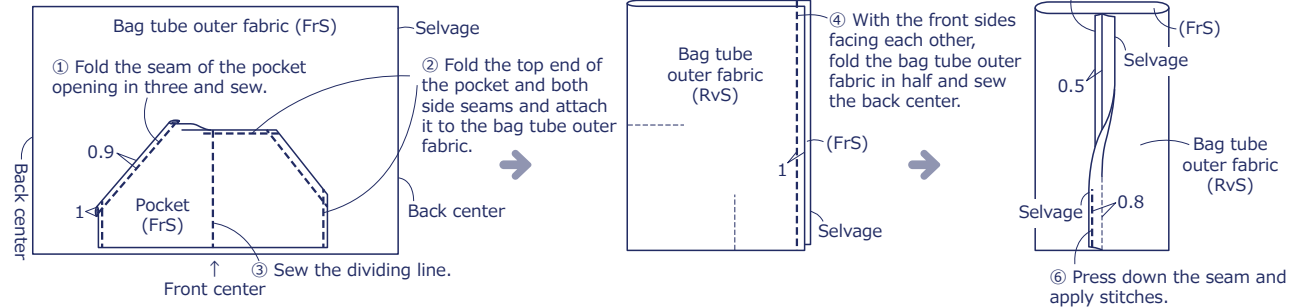
## Pattern

Unit: cm. Raw edge unless otherwise specified.

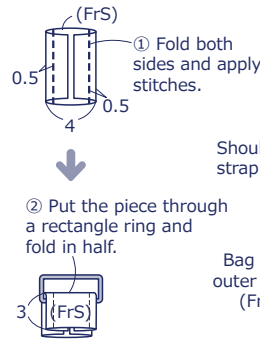


## Instructions Front Side - (FrS), Reverse Side (RvS)

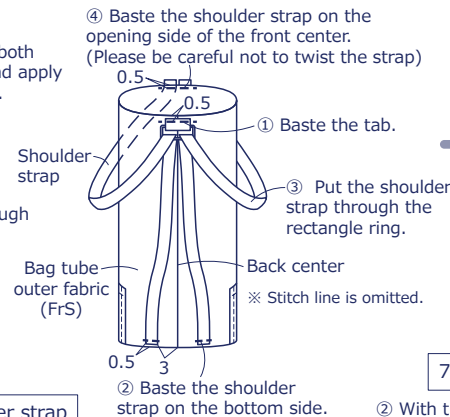
### 1. Make the outer bag tube



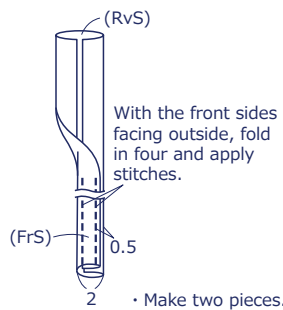
### 2. Make the tab



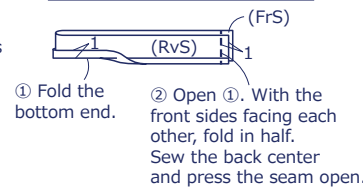
### 4. Make the outer bag



### 3. Make the shoulder strap

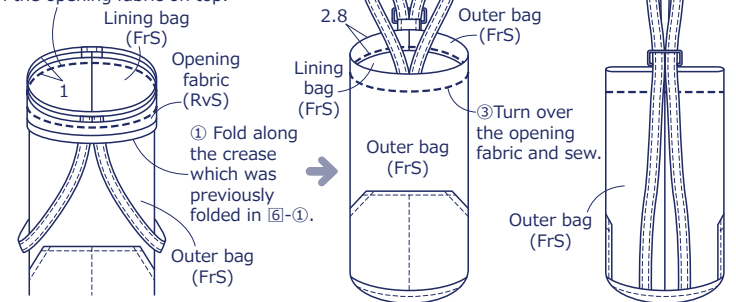


### 6. Make the opening fabric



### 7. Finish the bag

Step 2: With the front sides facing outside, sew together the outer and lining bags with the opening fabric on top.



### 5. Make the lining bag

